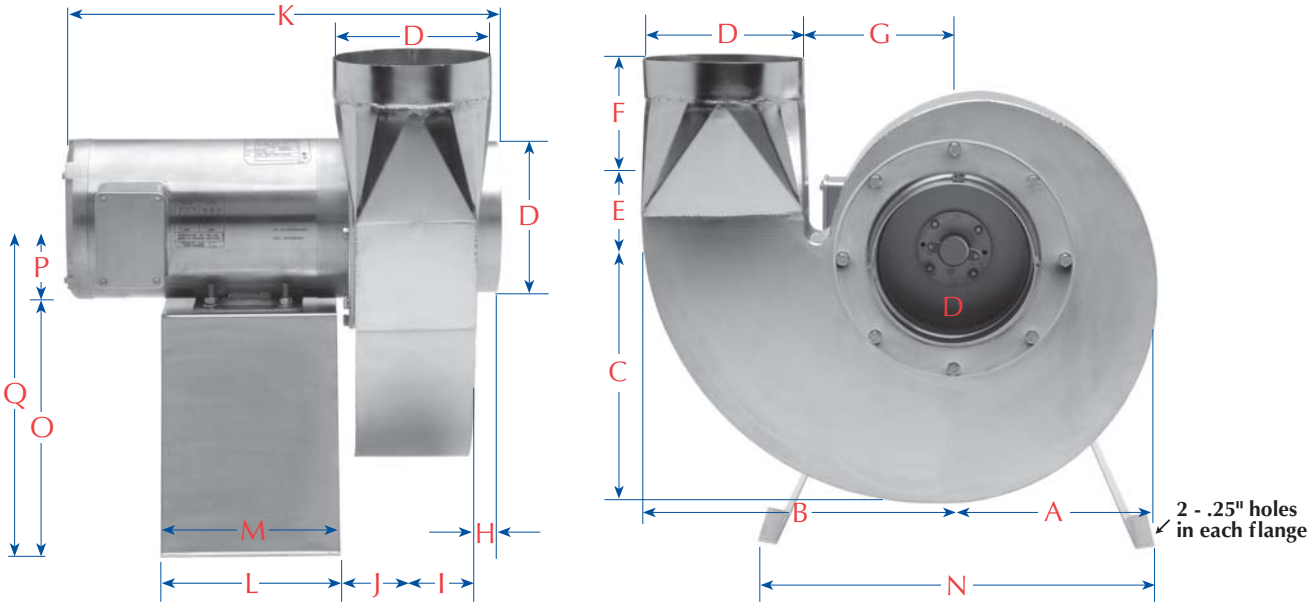


Inlet - Outlet Outside Dimensions (O/D): 6.30 Impeller Diameter: 7.70



316 Stainless Steel Motor Support Stand comes standard with PSS20 Series.

### DIMENSIONAL DATA (inches)

| A    | B     | C     | D    | E    | F    | G    | H    | I    | J    | L    | M    | N     | O    |
|------|-------|-------|------|------|------|------|------|------|------|------|------|-------|------|
| 8.25 | 12.50 | 12.00 | 6.30 | 4.50 | 1.75 | 6.50 | 1.30 | 2.39 | 2.39 | 7.25 | 6.25 | 13.75 | 9.50 |

| K     | P    | Q     | BLOWER TYPE |
|-------|------|-------|-------------|
| 17.83 | 3.50 | 13.00 | PSS20SS2PAS |
| 16.33 | 3.50 | 13.00 | PSS20SS2PGP |
| 18.98 | 3.50 | 13.00 | PSS20SS2PEP |
| 16.34 | 3.50 | 13.00 | PSS20SS4PAS |
| 14.46 | 3.50 | 13.00 | PSS20SS4PGP |
| 17.46 | 3.50 | 13.00 | PSS20SS4PEP |
| 16.77 | 3.50 | 13.00 | PSS20ST2PAS |
| 17.45 | 3.50 | 13.00 | PSS20ST2PPE |
| 14.98 | 3.50 | 13.00 | PSS20ST2PGP |
| 17.98 | 3.50 | 13.00 | PSS20ST2PEP |
| 16.68 | 3.50 | 13.00 | PSS20ST4PAS |
| 14.21 | 3.50 | 13.00 | PSS20ST4PPE |
| 13.51 | 3.50 | 13.00 | PSS20ST4PGP |
| 14.89 | 3.50 | 13.00 | PSS20ST4PEP |

### ROTATION AND DISCHARGE FOR CENTRIFUGAL FANS

#### Standard Position



Counter-Clockwise  
Up Blast  
CCW 360

#### Optional Field Adjustable Positions



Counter-Clockwise  
Top Angular  
Up Blast  
CCW 315



Counter-Clockwise  
Top Horizontal  
CCW 270



Counter-Clockwise  
Top Angular  
Down Blast  
CCW 225



Counter-Clockwise  
Down Blast  
CCW 180



Counter-Clockwise  
Bottom Angular  
Down Blast  
CCW 135



Counter-Clockwise  
Bottom Horizontal  
CCW 90



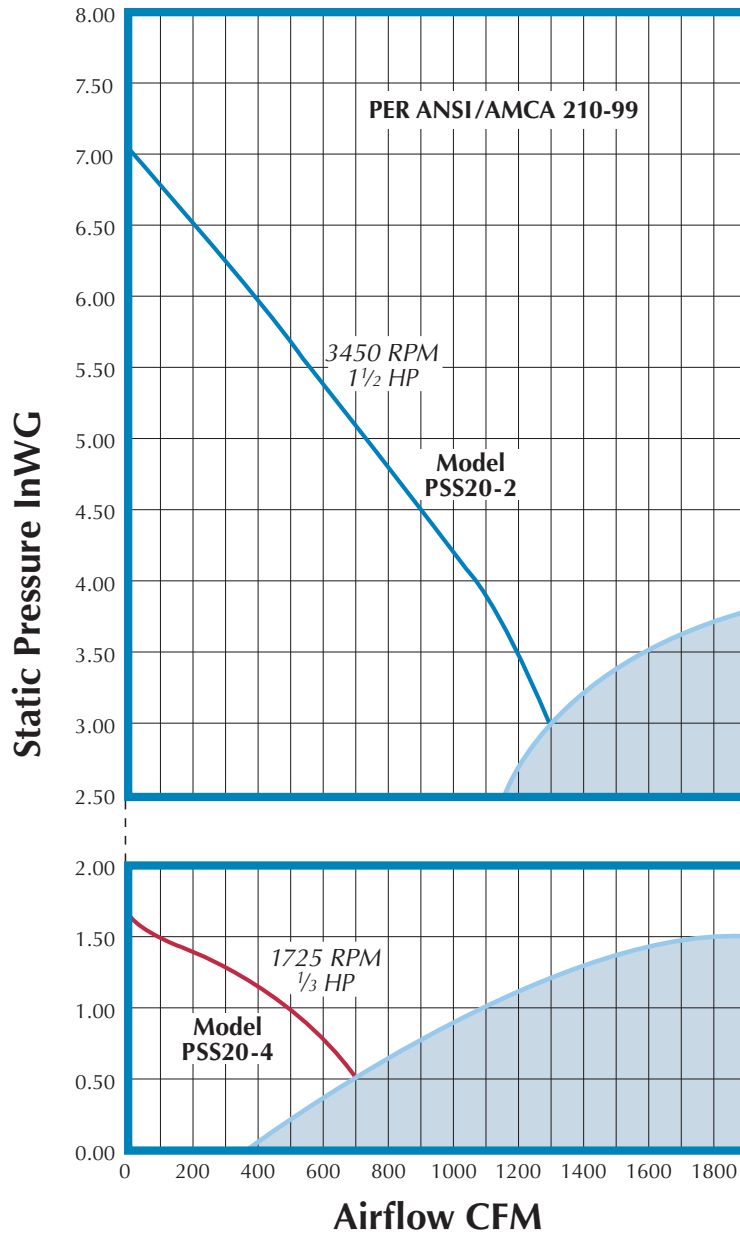
Counter-Clockwise  
Bottom Angular  
Up Blast  
CCW 45

#### Notes:

- (1) Direction of rotation is determined from the drive side of fan. **Standard position is up-blast CCW 360.**
- (2) On single inlet fans, drive side is always considered as the side opposite fan inlet.
- (3) Clockwise available upon request.

# PSS20

# CARNES®



*PSS mounted to optional WH5 with Inspection Lid closed*



*PSS mounted to optional WH5 with Inspection Lid open*

| AMCA BAND NUMBER:           | 1                | 2               | 3               | 4               | 5               | 6               | 7               | 8               | 8.0K | POINT OF OPERATION                |
|-----------------------------|------------------|-----------------|-----------------|-----------------|-----------------|-----------------|-----------------|-----------------|------|-----------------------------------|
| CENTER FREQUENCY (Hz):      | 63               | 125             | 250             | 500             | 1000            | 2.0K            | 4.0K            | 8.0K            |      |                                   |
| <b>Determination No.: 1</b> |                  |                 |                 |                 |                 |                 |                 |                 |      | <i>P<sub>s</sub>: 0.00 in. wg</i> |
| <i>L<sub>wi</sub> (dB):</i> | 99 <sup>1</sup>  | 93 <sup>1</sup> | 92 <sup>1</sup> | 89 <sup>1</sup> | 86 <sup>1</sup> | 87 <sup>1</sup> | 83 <sup>1</sup> | 80 <sup>1</sup> |      | <i>Q: 1625 cfm N: 3388 rpm</i>    |
| <b>Determination No.: 2</b> |                  |                 |                 |                 |                 |                 |                 |                 |      | <i>P<sub>s</sub>: 4.25 in. wg</i> |
| <i>L<sub>wi</sub> (dB):</i> | 100 <sup>1</sup> | 91 <sup>1</sup> | 94 <sup>1</sup> | 84 <sup>1</sup> | 81 <sup>1</sup> | 81 <sup>1</sup> | 78 <sup>1</sup> | 75 <sup>1</sup> |      | <i>Q: 1028 cfm N: 3477 rpm</i>    |
| <b>Determination No.: 3</b> |                  |                 |                 |                 |                 |                 |                 |                 |      | <i>P<sub>s</sub>: 4.90 in. wg</i> |
| <i>L<sub>wi</sub> (dB):</i> | 104 <sup>1</sup> | 99 <sup>1</sup> | 94 <sup>1</sup> | 83 <sup>1</sup> | 79 <sup>1</sup> | 79 <sup>1</sup> | 77 <sup>1</sup> | 74 <sup>1</sup> |      | <i>Q: 651 cfm N: 3509 rpm</i>     |
| <b>Determination No.: 4</b> |                  |                 |                 |                 |                 |                 |                 |                 |      | <i>P<sub>s</sub>: 6.25 in. wg</i> |
| <i>L<sub>wi</sub> (dB):</i> | 106 <sup>1</sup> | 97 <sup>1</sup> | 92 <sup>1</sup> | 85 <sup>1</sup> | 80 <sup>1</sup> | 77 <sup>1</sup> | 75 <sup>1</sup> | 72 <sup>1</sup> |      | <i>Q: 206 cfm N: 3548 rpm</i>     |

This data was obtained in a laboratory accredited for AMCA 300 Sound Testing.

Type D, Ducted Inlet/Outlet

AMCA Standard 300-95