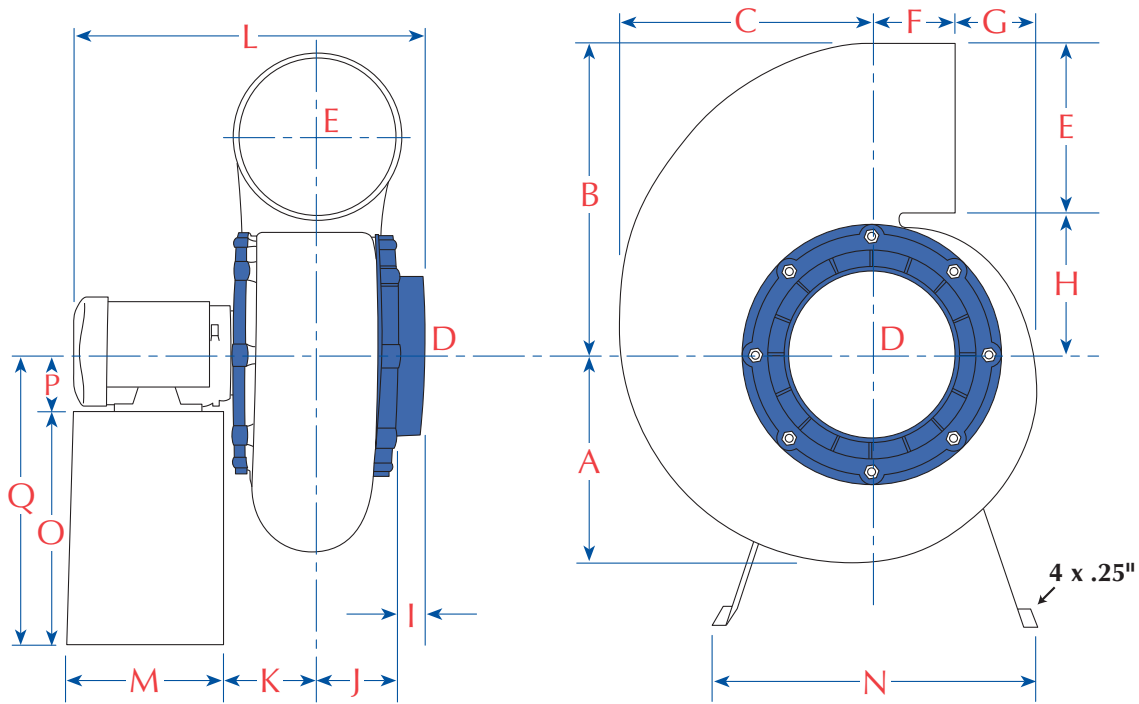


Inlet Outside Dimension (O/D): 9.84

Outlet Outside Dimension (O/D): 10.90

Impeller Diameter: 11.81



## DIMENSIONAL DATA (inches)

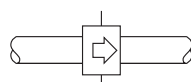
A	B	C	D	E	F	G	H	I	J	K	M	N	O
11.81	17.71	14.68	9.84	10.90	4.60	4.40	7.79	1.37	4.33	4.72	9.44	18.11	14.56

L	P	Q	BLOWER TYPE
22.23	3.50	18.06	PLA30SS4P
21.20	3.49	18.05	PLA30ST4P
25.86	4.50	19.06	PLA30XS4P
25.86	4.50	19.06	PLA30XT4P
22.23	3.50	18.06	PLA30SS6P
21.20	3.49	18.05	PLA30ST6P
22.44	3.50	18.06	PLA30XS6P
26.20	3.54	18.10	PLA30XT6P

## SHOWN WITH OPTIONAL ROOF UNIT KIT

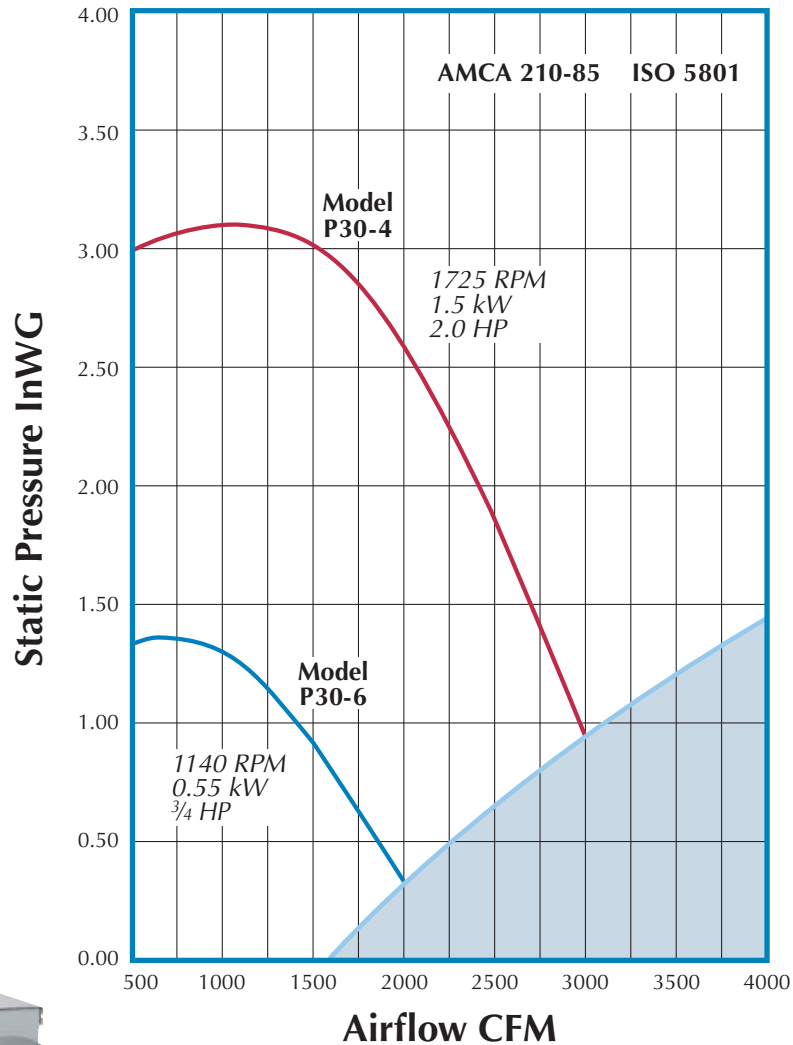


See Accessories Performance and Dimensional Data Sheets for Roof Unit Kits



Noise Level  
(Ducted inlet/outlet)  
Measured at 5 feet.

R.P.M.	LWA dB (A)
1150	44
1725	54



For **Weather Protection** see optional accessory "Weather Hood Enclosed Pedestal" Model WH4, pictured at right. Also see Model WH5 Aluminum Weather Hood pictured at left.



## ROTATION AND DISCHARGE FOR CENTRIFUGAL FANS

### Standard Position



Counter-Clockwise  
Up Blast  
CCW 360



Counter-Clockwise  
Top Angular  
Up Blast  
CCW 45



Counter-Clockwise  
Top Horizontal  
CCW 90



Counter-Clockwise  
Top Angular  
Down Blast  
CCW 135



Counter-Clockwise  
Down Blast  
CCW 180



Counter-Clockwise  
Bottom Angular  
Down Blast  
CCW 225



Counter-Clockwise  
Bottom Horizontal  
CCW 270



Counter-Clockwise  
Bottom Angular  
Up Blast  
CCW 315

### Optional Field Adjustable Positions

### Notes:

- (1) Direction of rotation is determined from the drive side of fan. **Standard position is up-blast CCW 360.**
- (2) On single inlet fans, drive side is always considered as the side opposite fan inlet.
- (3) Clockwise available upon request.