

JET 25

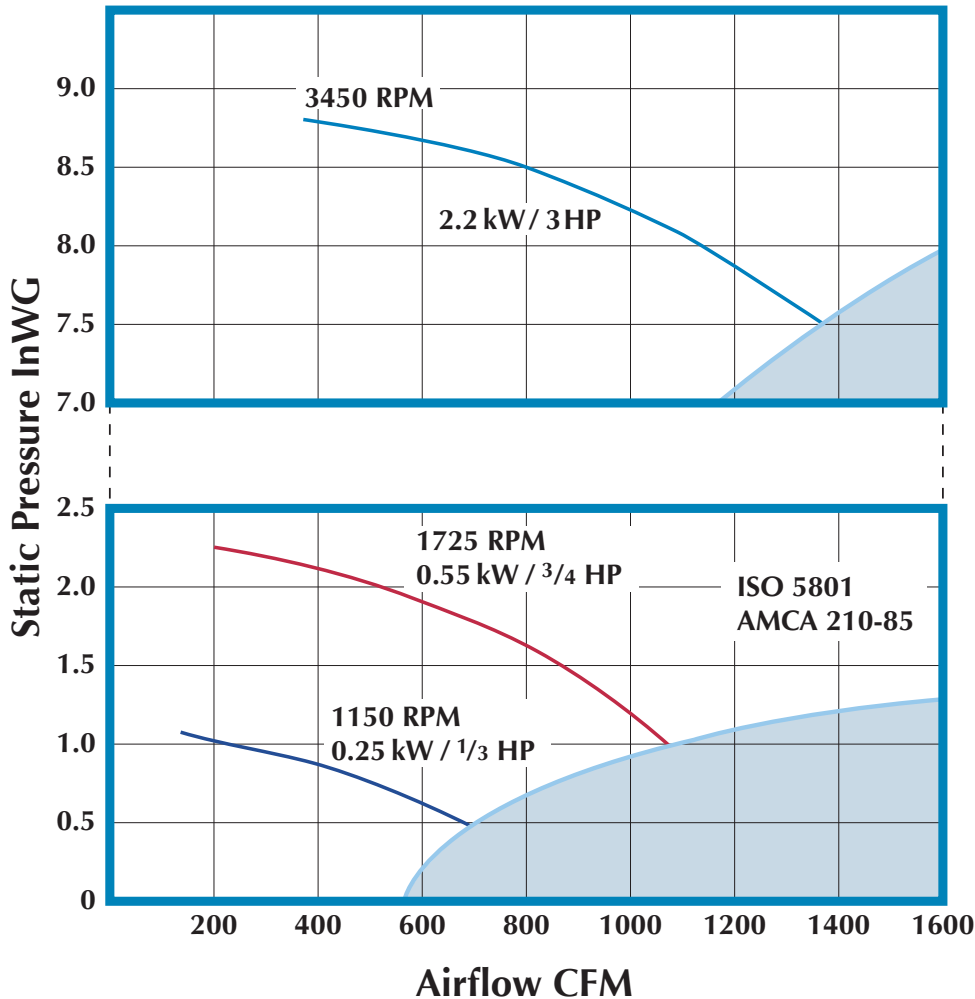


Optional JET Wall Mounting Bracket



Optional Insulated Galvalume Roof Curb

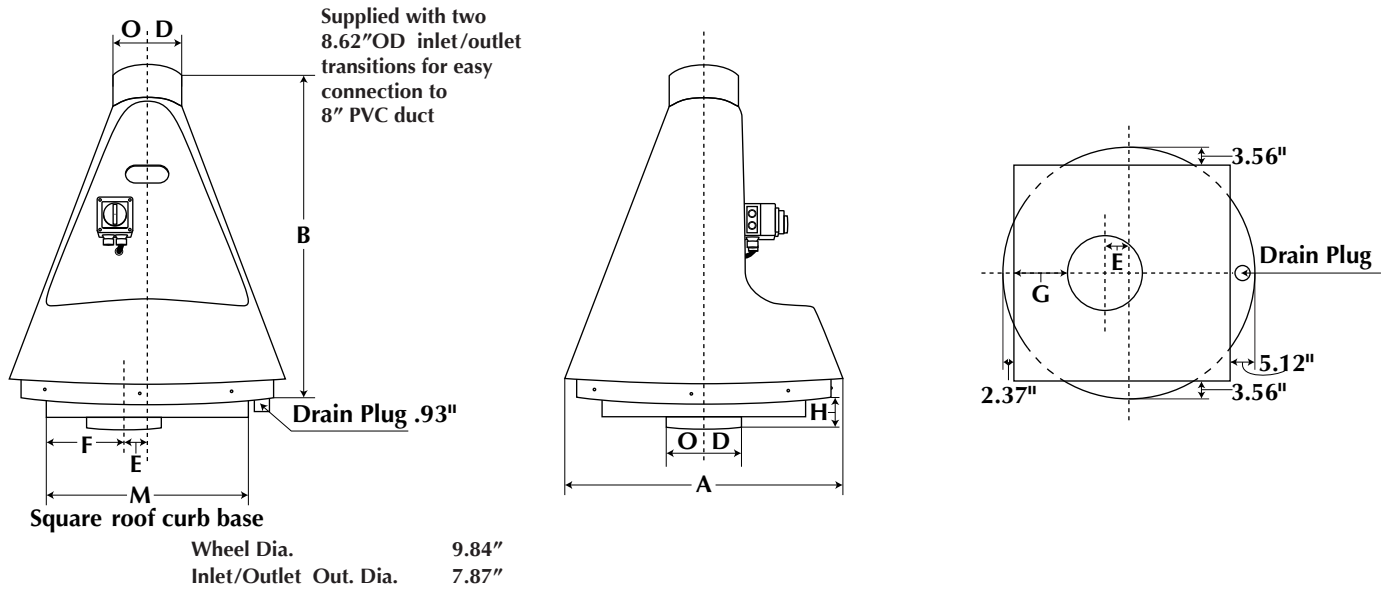
Optional Aluminum and 304 Stainless Steel Impeller Available for 3450 RPM Model



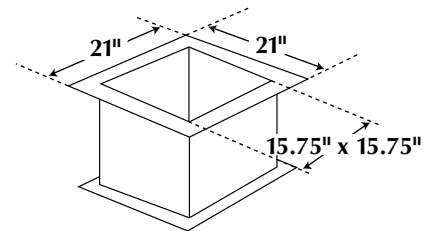
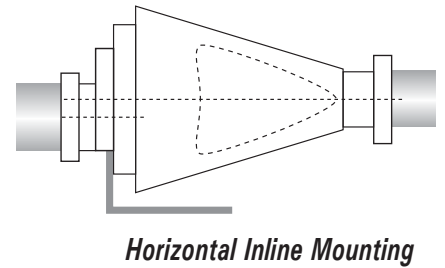
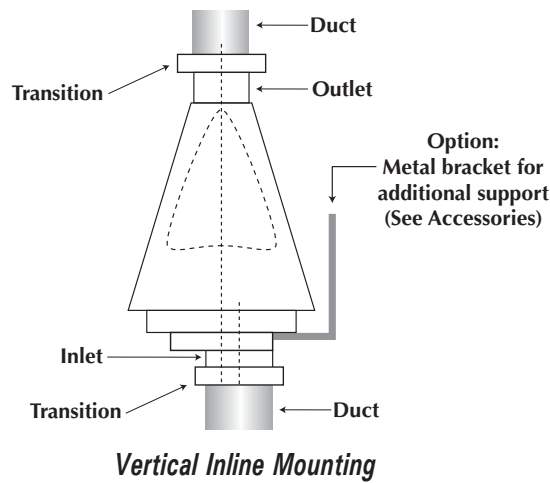
Sound Level
Type A
Free Inlet/Free Outlet
Measured at 5 Feet

R.P.M.	LWA dB (A)
1150	70
1725	81
3450	113

Dimensional Data



JET with optional Wall Mounting Bracket



Roof Curb Sizing for Guidance Only
**Not Included*

Dimensions (in)									
A	B	D	E	F	G	H	M (ID)	X	Y
28.93	39.12	7.87	2.37	12	5.68	5.31	21.25 x 21.25	13	11.81