

Imperial [IP] Dimensions  
Metric (SI) in Parentheses

CARNES COMPANY 448 S. Main St., P. O. Box 930040, Verona, WI 53593-0040 Phone: (608)845-6411 Fax: (608)845-6504 www.carnes.com



#### Description

30 Amp, 600 Volt, Three-Pole, Three Phase AC Motor Starting Switch, Suitable as Motor Disconnect, Toggle, Industrial Grade, Non-Grounding, Back & Side Wiring, with Junction Box and Cover.

#### AC Horsepower Ratings

120VAC	3HP
240VAC	7-1/2HP
480VAC	15HP
600VAC	20HP

#### Environmental Specifications

Flammability	Rated V-0 per UL 94
Operation Temperature	-40°C to 60°C

#### Mechanical Specifications

Termination	Back & Side
Terminal ID	T1, T2, T3, L1, L2 & L3 marked on back of device
Product ID	Ratings are permanently marked on device
Terminal Accom.	#10-#8 AWG
Torque Range	25 inch pounds max.

#### Electrical Specifications

Grounding	Non-Grounding
Amperage	30 Amp
Voltage	600 Volt
Pole	3
Dielectric Voltage	Withstands 2200V for 1 minute
Overload UL508 Test	50 cycles of overload at 6 times rated current
Overload UL20 Test	100 cycles of OL at 4.8 times rated current
Temperature Rise	50°C max. full rated current
Endurance	6,000 cycles inductive motor type load

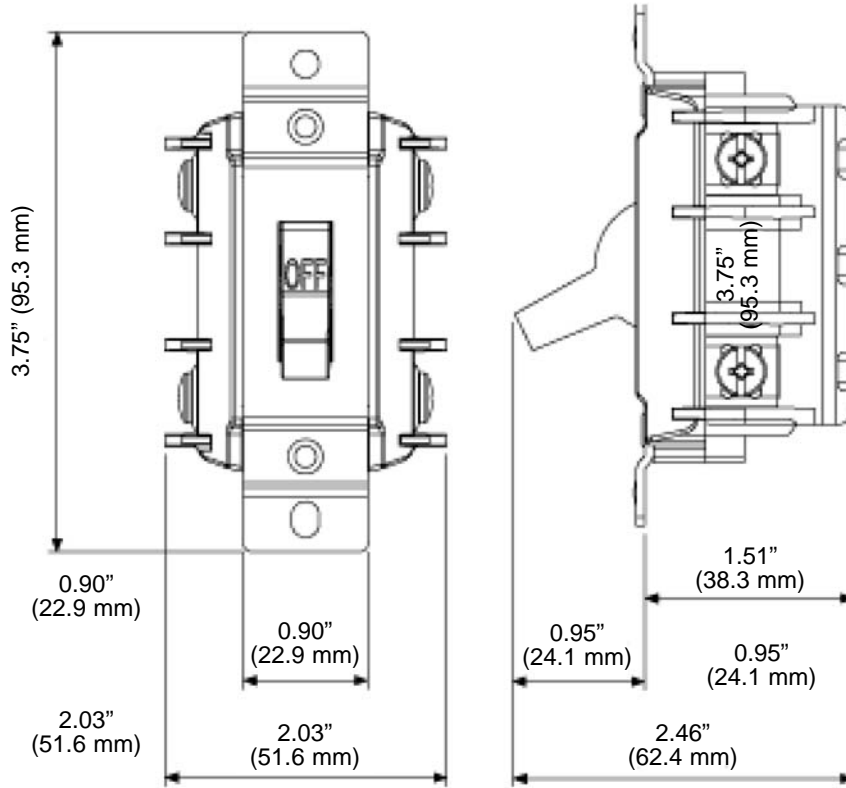
#### Material Specifications

Strap Material	Nickel-Plated Brass
Yoke	Nickel-Plated Brass
Base Material	PBT
Toggle	PBT
Face Material	PBT
Contacts	Silver-Cadmium .031 Thick
Terminal Screws	Nickel-Plated Brass 10-32
Color	Black

#### Standards and Certifications

NEMA	WD-1 & WD-6
ANSI	C-73
UL508	File #E63969
cUL per CSA C22.2 No. 111	File #E63969
NOM	057

### Dimensional Diagram



### Wiring Diagram 3-Pole

