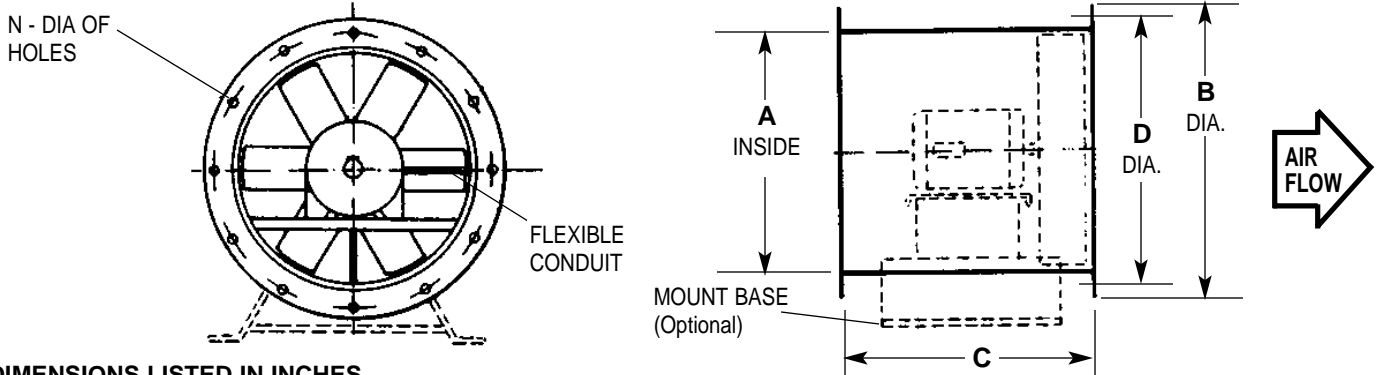


Imperial [IP] Dimensions
Metric (SI) in Parentheses

CARNES COMPANY 448 S. Main St., P. O. Box 930040, Verona, WI 53593-0040 Phone: (608)845-6411 Fax: (608)845-6470 www.carnes.com



DIMENSIONS LISTED IN INCHES

Model Size	I. D. A	O. D. B	Length C	Flange Hole Center D	Holes		Max. Motor Frame	Housing Gauges	Average Weight Lbs.
					Dia.	Number			
12	13-1/32	16-3/16	15	15	7/16	8	56	14	60
16	17-1/32	20-3/16	19	19	7/16	8	56	14	65
18	19-1/32	22-3/16	19	20-3/4	7/16	8	143T	14	75
21	22-1/32	25-3/16	19	23-3/4	7/16	8	145T	14	90
24	25-1/8	29-1/8	30	27-1/8	7/16	8	213T	12	130
30	31-1/8	35-1/8	30	33-1/8	7/16	8	215T	12	195
36	37-1/8	41-1/8	30	39-5/8	1/2	8	215T	12	250
42	43-1/8	47-1/8	32	45-1/8	1/2	16	256T	12	400
48	49-1/8	53-1/8	32	51-1/8	1/2	16	256T	10	510

STANDARD FEATURES

- Heavy gauge rolled steel housing reinforced on each end with a rolled steel flange. Units with motors 5 HP and larger are 7 gauge carbon steel construction.
- Continuously welded seams.
- Precision balanced heavy duty steel blades.
- Standard Mill Finish.

Abbreviations:

- OP = Open
- TE = Totally Enclosed
- XP = Explosion Proof
- 2S = Two Speed

Abbreviations:

- MB = Mounting Bracket
- IG = Inlet Guard
- OG = Outlet Guard
- AP = Access Panel
- CF = Companion Flange

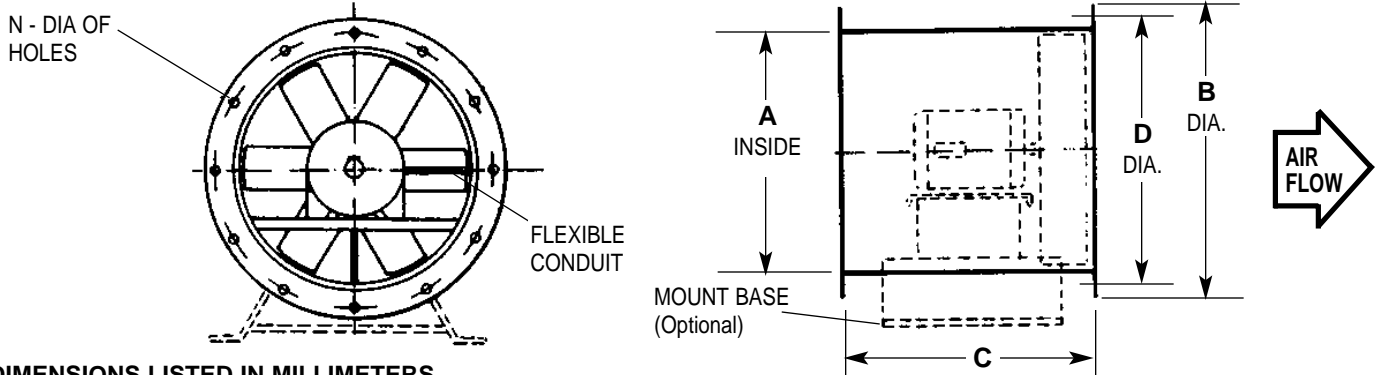
FAN LOCATION	QTY	MODEL/SIZE	CFM	SP	FAN RPM	SONES	MOTOR			ACCESSORIES
							HP	ELECTRICAL	TYPE	

NOTES:

PROJECT:	ARCHITECT:
CONTRACTOR:	ENGINEER:
DATE:	SUBMITTED BY:

Imperial [IP] Dimensions
Metric (SI) in Parentheses

CARNES COMPANY 448 S. Main St., P. O. Box 930040, Verona, WI 53593-0040 Phone: (608)845-6411 Fax: (608)845-6470 www.carnes.com



DIMENSIONS LISTED IN MILLIMETERS

Model Size	I. D. A	O. D. B	Length C	Flange Hole Center D	Holes		Max. Motor Frame	Housing Gauges	Average Weight Kg.
					Dia.	Number			
12	331	411	381	381	11	8	56	14	27
16	432	512	482	482	11	8	56	14	30
18	483	563	482	527	11	8	143T	14	34
21	559	639	482	603	11	8	145T	14	41
24	638	739	761	688	11	8	213T	12	59
30	790	891	761	841	11	8	215T	12	89
36	942	1044	761	1006	13	8	215T	12	114
42	1095	1196	812	1145	13	16	256T	12	182
48	1247	1348	812	1298	13	16	256T	10	232

STANDARD FEATURES

- Heavy gauge rolled steel housing reinforced on each end with a rolled steel flange. Units with motors 5 HP and larger are 7 gauge carbon steel construction.
- Continuously welded seams.
- Precision balanced heavy duty steel blades.
- Standard Mill Finish.

Abbreviations:

- OP = Open
- TE = Totally Enclosed
- XP = Explosion Proof
- 2S = Two Speed

Abbreviations:

- MB = Mounting Bracket
- IG = Inlet Guard
- OG = Outlet Guard
- AP = Access Panel
- CF = Companion Flange

FAN LOCATION	QTY	MODEL/SIZE	CFM	SP	FAN RPM	SONES	MOTOR			ACCESSORIES
							HP	ELECTRICAL	TYPE	

NOTES:

PROJECT:			ARCHITECT:		
CONTRACTOR:		DATE:	SUBMITTED BY:		ENGINEER: