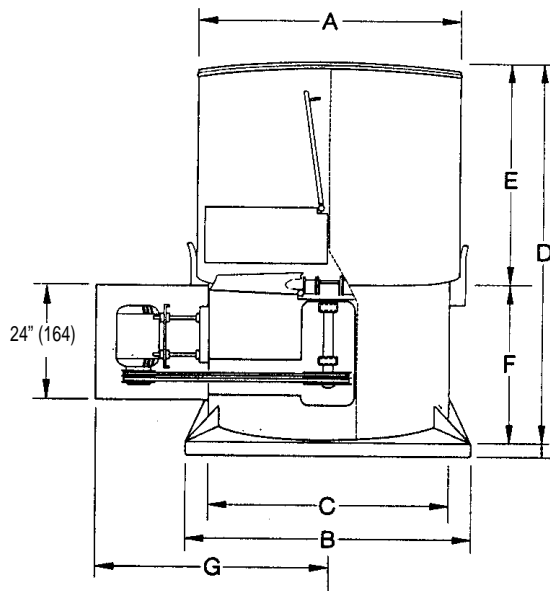


**IP [English] Dimensions  
SI (Metric) In Parentheses**

CARNES COMPANY 448 S. Main St., P. O. Box 930040, Verona, WI 53593-0040 Phone: (608)845-6411 Fax: (608)845-6504 www.carnes.com



**HIGH TEMP [MODEL: LQBA HIGH TEMP]**

Heat Tested to:

- 1000°F [538°C] 15 minutes
- 500°F [260°C] 4 hours - IRI Construction
  1. All ferrous construction in airstream.
  2. 165°F [74°C] fusible link in damper release mechanism [heat & smoke vent].
  3. Motor out-or-airstream.
  4. Belt & bearing enclosed in ventilated housing.
  5. Shaft heat slinger.
  6. Dual groove drive.
  7. Extended lube lines.

**Dimensions Listed In Inches (Millimeters)**

**Metal Gauge**

Size	Wind Band O. D. A	I. D. Curb Cap B	Min. I. D. Opp. C	Height D	Windband Height E	Tube Height F	G (Max.)	Fan Housing	Wind Shroud	Curb Cap
24	30 (762)	35 (889)	25-1/8 (638)	55-1/2 (1410)	25 (635)	30-1/2 (775)	37 (940)	12 (2.7)	18 (1.2)	14 (1.9)
30	36 (914)	41 (1041)	31-1/8 (791)	58-1/2 (1486)	28 (711)	30-1/2 (775)	40 (1016)	12 (2.7)	18 (1.2)	14 (1.9)
36	42 (1067)	47 (1194)	37-1/8 (943)	60-1/2 (1537)	30 (762)	30-1/2 (775)	43 (1092)	12 (2.7)	18 (1.2)	14 (1.9)
42	48 (1219)	53 (1346)	43-1/8 (1095)	65-1/2 (1664)	33 (838)	32-1/2 (826)	46 (1168)	12 (2.7)	18 (1.2)	14 (1.9)
48	54 (1372)	59 (1499)	49-1/8 (1400)	68-1/2 (1740)	36 (914)	32-1/2 (826)	49 (1245)	10 (3.5)	18 (1.2)	14 (1.9)
54	60 (1524)	65 (1651)	55-1/8 (1651)	71-1/2 (1816)	39 (991)	32-1/2 (826)	52 (1321)	10 (3.5)	18 (1.2)	14 (1.9)
60	66 (1676)	71 (1803)	61-1/8 (1803)	74-1/2 (1892)	42 (1067)	32-1/2 (826)	55 (1397)	3/16 (4.8)	18 (1.2)	14 (1.9)

**Notes:**

- All manufactured parts 24" - 60" (610mm - 1,524mm) through 10 HP are G-90 galvanized steel.
- Translucent fiberglass damper doors are standard on 48", 54", and 60" (1220mm, 1,372mm and 1,524mm) [available as an accessory on all other sizes].
- Steel damper doors are standard on LQBA [High Temp] models.
- Model LQBA [High Temp] is only available with fixed pitch steel blades.

All specifications are subject to change without notice unless approved in submittal.