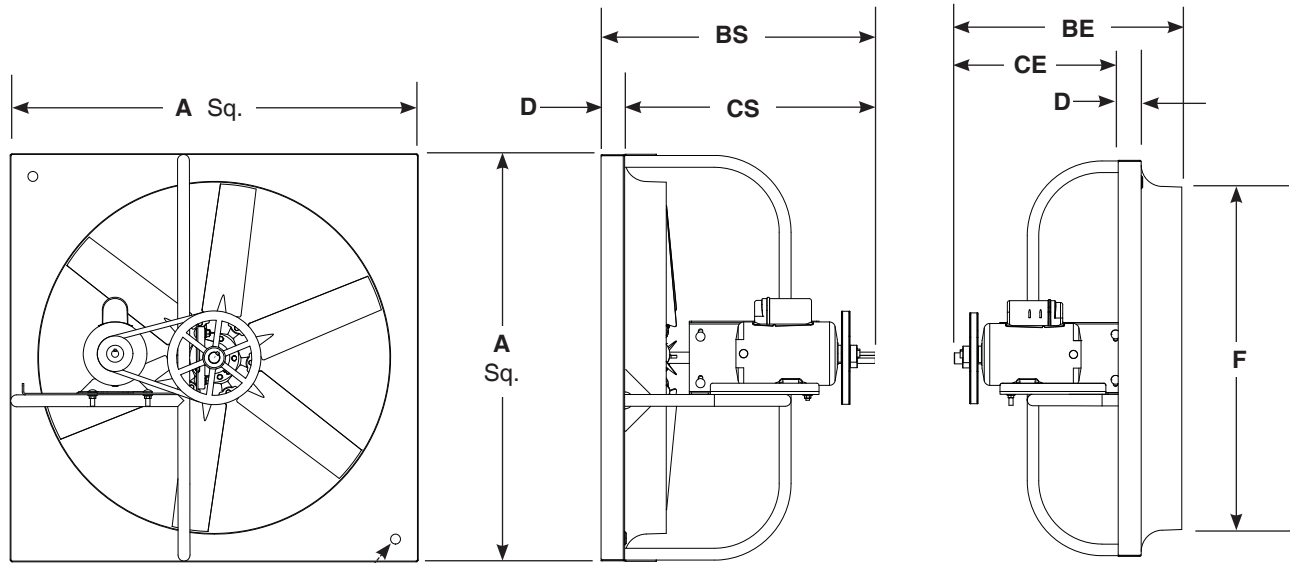


IP [English] Dimensions
SI (Metric) on Reverse Side

CARNES COMPANY 448 S. Main St., P. O. Box 930040, Verona, WI 53593-0040 Phone: (608)845-6411 Fax: (608)845-6504 www.carnes.com



Wiring Knockout 0.875" Dia.

Supply Model LMBL

Exhaust Model LWBL

Fan Size	DIMENSIONS (In Inches and Lbs.)						Weight Less Motor	MATERIAL				Max. Motor Frame
	A Sq.	BE	BS	CE	CS	D		Panel Venturi	Motor & Bearing Mount	Shaft Dia. (Inches)	Drive Frame Sch. 40	
20	26	23-5/8	20	18	17-7/8	2-1/8	30	16 ga.	10 ga.	0.75	1" Dia.	145T
24	30	23-5/8	20	18	17-7/8	2-1/8	36	16 ga.	10 ga.	0.75	1" Dia.	145T
30	36	27-5/8	23	21	20-7/8	2-1/8	60	16 ga.	10 ga.	1.00	1" Dia.	145T
36	42	29-5/8	25	23	22-7/8	2-1/8	75	16 ga.	10 ga.	1.00	1" Dia.	215T
42	48	29-7/8	25	23	22-7/8	2-1/8	96	16 ga.	10 ga.	1.00	1" Dia.	215T
48	54	29-7/8	25	23	22-7/8	2-1/8	116	16 ga.	10 ga.	1.00	1" Dia.	215T

STANDARD SPECIFICATION AND CONSTRUCTION

- Propeller:** Polypropylene airfoil blades (Alum. optional) with steel hub keyed to the fan shaft. Statically and dynamically balanced.
- Panel:** Single piece galvanized steel fan panel/venturi with welded corners, pre-punched mounting holes, and electrical wiring knockout.
- Drive Frame:** All welded schedule 40 steel pipe frame.
- Finish:** Mill
- Fan Shaft:** Precision turned, ground and polished steel with corrosion inhibiting coating - keyed to the propeller hub and the drive pulley.
- Bearings:** Cast iron self aligning pillow block ball bearings with lube fittings. Minimum average life 200,000 hours (L50 = 200K).
- Motor Plate:** Single piece motor and bearing mount is welded to the drive frame. Motor adjustment slots for proper belt tension maintenance.
- Drives:** Cast iron construction sized for min. 150% of installed motor HP. Keyed to fan shaft and motor shaft. Motor sheave is adjustable.
- Belts:** Oil resistant and static free are sized for minimum 25,000 hours average life.
- AMCA Licensed:** Certified Ratings Seal for both sound and air performance.
- Factory Run Test:** For quality assurance and reliability. Factory pre-set fan RPM.

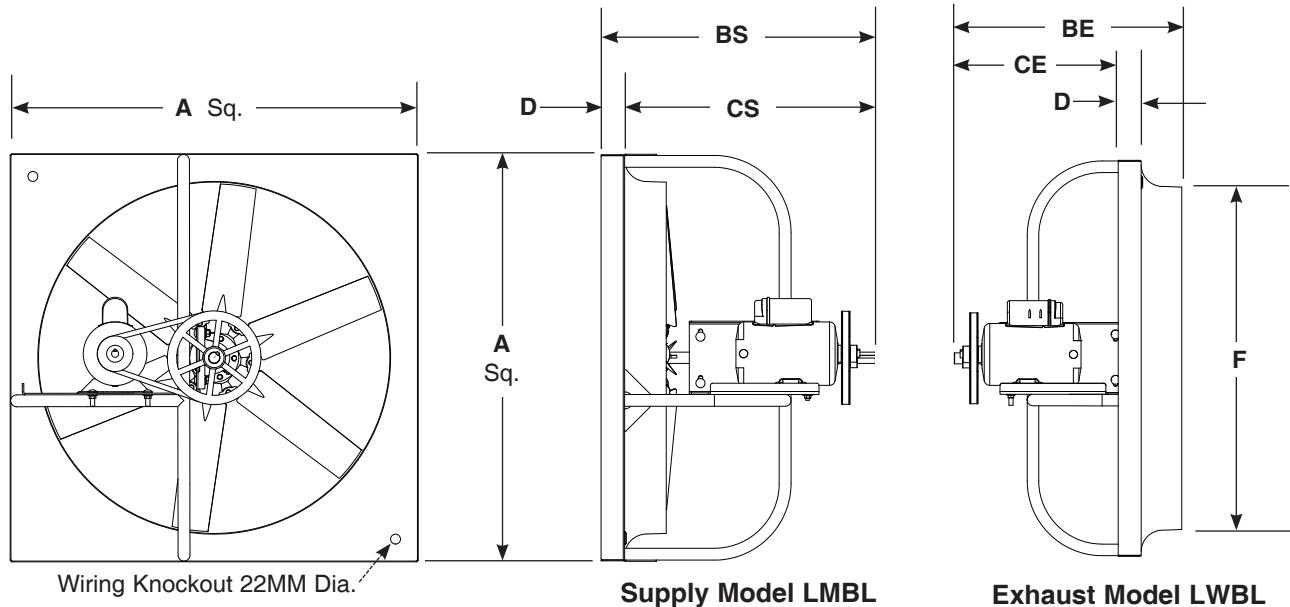
FAN NO. LOCATION	QTY	MODEL/SIZE	CFM	SP	FAN RPM	SONES	MOTOR			ACCESSORIES
							HP	ELECTRICAL	TYPE	

ACCESSORIES AND OPTIONS:

<input type="checkbox"/> Wall Box <input type="checkbox"/> Hinged OSHA Guard <input type="checkbox"/> Wall Collar <input type="checkbox"/> Basket Wire Guard	<input type="checkbox"/> UL 705/CUL Listed <input type="checkbox"/> Aluminum Propeller Blades <input type="checkbox"/> Gravity Shutter <input type="checkbox"/> Motorized Shutter (115/230V POSC) <input type="checkbox"/> Center Pivot Motorized Damper <input type="checkbox"/> Damper Guard	<input type="checkbox"/> Mounting Angle Set (4) <input type="checkbox"/> Insulated Motorized Louver <input type="checkbox"/> Rain Hood with Birdscreen <input type="checkbox"/> Special Finish _____ <input type="checkbox"/> Other _____
---	---	---

SI (Metric) Dimensions
IP [English] on Reverse Side

CARNES COMPANY 448 S. Main St., P. O. Box 930040, Verona, WI 53593-0040 Phone: (608)845-6411 Fax: (608)845-6504 www.carnes.com



Supply Model LMBL

Exhaust Model LWBL

Fan Size	DIMENSIONS (In mm and Kg)						Weight Less Motor	MATERIAL				Max. Motor Frame
	A Sq.	BE	BS	CE	CS	D		Panel Venturi	Motor & Bearing Mount	Shaft Dia.	Drive Frame Sch. 40	
20	660	600	508	457	454	54	13.6	16 ga.	10 ga.	19.0	25.4	145T
24	762	600	508	457	454	54	16.3	16 ga.	10 ga.	19.0	25.4	145T
30	914	702	584	533	530	54	27.2	16 ga.	10 ga.	25.4	25.4	145T
36	1067	752	635	584	581	54	34.0	16 ga.	10 ga.	25.4	25.4	215T
42	1219	752	635	584	581	54	43.5	16 ga.	10 ga.	25.4	25.4	215T
48	1372	752	635	584	581	54	52.6	16 ga.	10 ga.	25.4	25.4	215T

STANDARD SPECIFICATION AND CONSTRUCTION

- Propeller:** Polypropylene airfoil blades (Alum. optional) with steel hub keyed to the fan shaft. Statically and dynamically balanced.
- Panel:** Single piece galvanized steel fan panel/venturi with welded corners, pre-punched mounting holes, and electrical wiring knockout.
- Drive Frame:** All welded schedule 40 steel pipe frame.
- Finish:** Mill
- Fan Shaft:** Precision turned, ground and polished steel with corrosion inhibiting coating - keyed to the propeller hub and the drive pulley.
- Bearings:** Cast iron self aligning pillow block ball bearings with lube fittings. Minimum average life 200,000 hours (L50 = 200K).
- Motor Plate:** Single piece motor and bearing mount is welded to the drive frame. Motor adjustment slots for proper belt tension maintenance.
- Drives:** Cast iron construction sized for min. 150% of installed motor HP. Keyed to fan shaft and motor shaft. Motor sheave is adjustable.
- Belts:** Oil resistant and static free are sized for minimum 25,000 hours average life.
- AMCA Licensed:** Certified Ratings Seal for both sound and air performance.
- Factory Run Test:** For quality assurance and reliability. Factory pre-set fan RPM.

FAN NO. LOCATION	QTY	MODEL/SIZE	L/SEC	KPa	FAN RPM	SONES	MOTOR			ACCESSORIES
							HP/KW	ELECTRICAL	TYPE	

ACCESSORIES AND OPTIONS:	<input type="checkbox"/> UL 705/CUL Listed <input type="checkbox"/> Aluminum Propeller Blades <input type="checkbox"/> Gravity Shutter <input type="checkbox"/> Motorized Shutter (115/230V POSC) <input type="checkbox"/> Center Pivot Motorized Damper <input type="checkbox"/> Damper Guard	<input type="checkbox"/> Mounting Angle Set (4) <input type="checkbox"/> Insulated Motorized Louver <input type="checkbox"/> Rain Hood with Birdscreen <input type="checkbox"/> Special Finish _____ <input type="checkbox"/> Other _____
<input type="checkbox"/> Wall Box <input type="checkbox"/> Hinged OSHA Guard <input type="checkbox"/> Wall Collar <input type="checkbox"/> Basket Wire Guard		