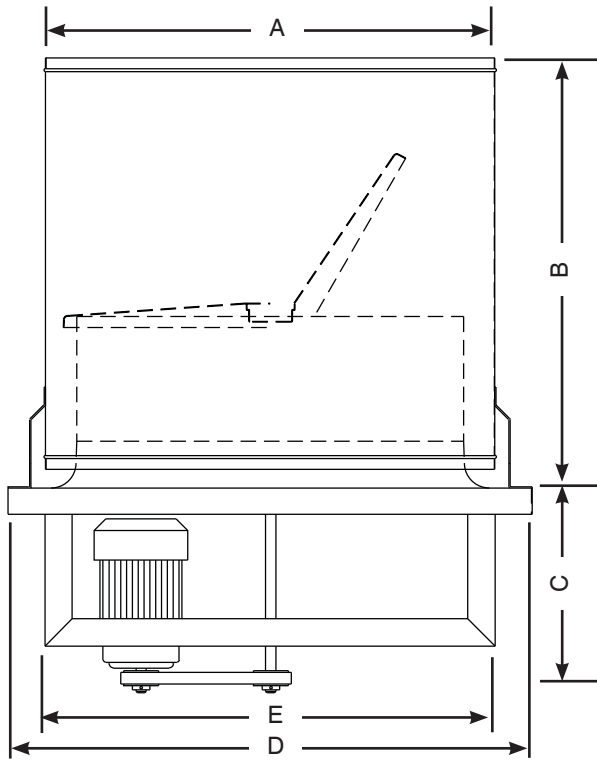


PROPELLER UPBLAST FANS: BELT DRIVE

CARNES COMPANY 448 S. Main St., P. O. Box 930040, Verona, WI 53593-0040 Phone: (608)845-6411 Fax: (608)845-6504 www.carnes.com



INCLUDES:

- DAMPER DOORS
- RAIN CHANNEL
- LIFTING POINTS
- INTERNAL BRACING
- V-BELT DRIVES

ABBREVIATIONS:

- Motor Type — OP = OPEN
 TE = TOTALLY ENCLOSED
 XP = EXPLOSION PROOF
 2S = TWO SPEEDS

ACCESSORIES:

- LXFAG - GALVANIZED CURB
 LXFAA - ALUMINUM CURB
 LXMAU - BASKET SAFETY GUARD

Model LUBK	Dimensions In Inches					Metal Gauges			Avg. Wt.	Curb Size
	A	B	C	D	E	Wind Shroud	Curb Cap	Fan Panel		
24	29	28-1/2	16	36	30	18	16	16	145	0344
30	35-1/2	31-1/2	16	42	36	18	16	16	170	0404
36	41	34-1/2	16	48	42	18	14	16	200	0464
42	47	37-1/2	20	54	48	18	14	16	225	0524
48	53	40-1/2	20	60	54	18	14	14	270	0584

FAN NO. LOCATION	QTY.	MODEL/SIZE	CFM	SP	FAN RPM	SONES	MOTOR			ACCESSORIES
							HP	ELECTRICAL	TYPE	

NOTES:

PROJECT:

ARCHITECT:

CONTRACTOR:

DATE:

SUBMITTED BY:

ENGINEER: