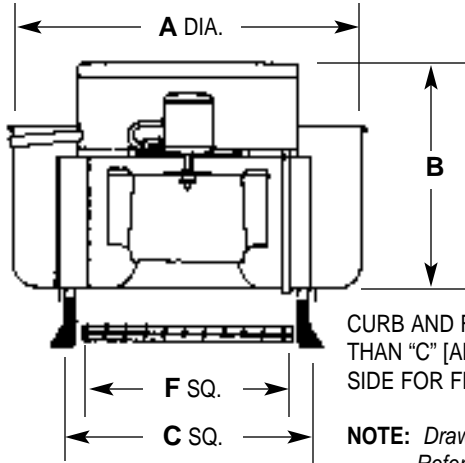


## SPECIFICATION SHEET MODEL VUDK - DIRECT DRIVE UPBLAST VENTILATORS

CARNES COMPANY 448 S. Main St., P. O. Box 930040, Verona, WI 53593-0040 Phone: (608)845-6411 Fax: (608)845-6470 www.carnes.com

**Models VUDK 06-08**

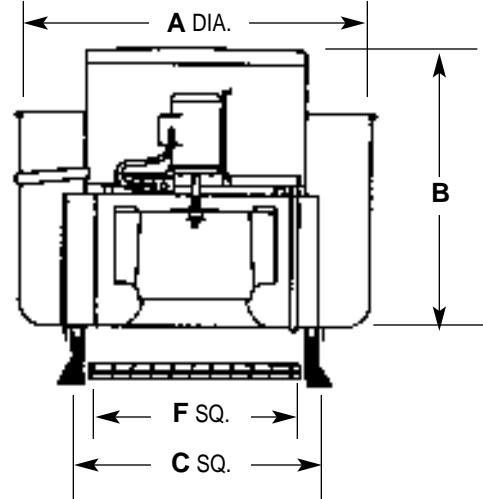


UNIT SHOWN WITH  
OPTIONAL ROOF  
CURB AND BACK-  
DRAFT DAMPER  
(8" (203) Min. Curb  
Height Recommended)

CURB AND FLASHING SMALLER  
THAN "C" [ALLOW 3/4" (19) EACH  
SIDE FOR FLASHING]

**NOTE:** Drawing is to locate dimensions.  
Refer to Catalog for actual model  
configuration.

**Models VUDK 10-18**



**STANDARD FEATURES:**

- Spun and shaped aluminum housing.
- Integral motor overload protection on all standard single phase motors.
- Disconnect switch on all motors except explosion proof.
- Ventilated motor compartment with motor out of the airstream.
- Non-overloading, backwardly inclined wheel.
- Isolated suspended motor wheel-drive assembly.
- Spark resistant construction.
- Integral drain opening.

**STANDARD DIMENSIONS LISTED IN INCHES (Millimeters)**

Unit Size	Unit Diameter A	Unit Height B		Inside Curb Cap C	Roof Opening Square F	Curb O. D. Square	Damper Size Square	Approx. Wt. Less Motor Lbs./Kg.
		Standard Height	Extended Height					
06	25-5/8 (651)	21-1/8 (537)	21-1/8 (537)	15-1/2 (394)	11 (279)	14 (356)	10 (254)	40 (18.1)
08	25-5/8 (651)	22-1/2 (572)	22-1/2 (572)	15-1/2 (394)	11 (279)	14 (356)	10 (254)	40 (18.1)
10	27-5/8 (702)	23-1/8 (587)	23-1/8 (587)	17-5/8 (448)	13 (330)	16 (406)	12 (305)	45 (20.4)
12	27-3/4 (705)	24-3/4 (629)	24-3/4 (629)	17-5/8 (448)	13 (330)	16 (406)	12 (305)	45 (20.4)
15	32-3/4 (832)	27-3/4 (705)	32-1/2 (826)	20-1/2 (521)	16 (406)	19 (483)	15 (381)	65 (29.5)
18	38-3/4 (984)	28-7/8 (733)	33-5/8 (854)	25 (635)	20-1/2 (521)	23-1/2 (597)	19 (483)	85 (38.6)

**STANDARD MATERIAL AND THICKNESS**

Unit Size	Motor Cover		Outer Shroud Aluminum	Curb Cap Aluminum	Standard Wheel	Diffuser (Galvanized Steel Gauge)
	Lid Aluminum	Tube Aluminum				
06	.063 (1.6)	.040 (1.0)	.080 (2.0)	.050 (1.3)	Aluminum	22 (.8)
08	.063 (1.6)	.040 (1.0)	.080 (2.0)	.050 (1.3)	Aluminum	22 (.8)
10	.063 (1.6)	.040 (1.0)	.080 (2.0)	.063 (1.6)	Aluminum	22 (.8)
12	.063 (1.6)	.040 (1.0)	.080 (2.0)	.063 (1.6)	Aluminum	22 (.8)
15	.063 (1.6)	.040 (1.0)	.080 (2.0)	.063 (1.6)	Aluminum	20 (.9)
18	.063 (1.6)	.040 (1.0)	.090 (2.3)	.063 (1.6)	Aluminum	18 (1.2)