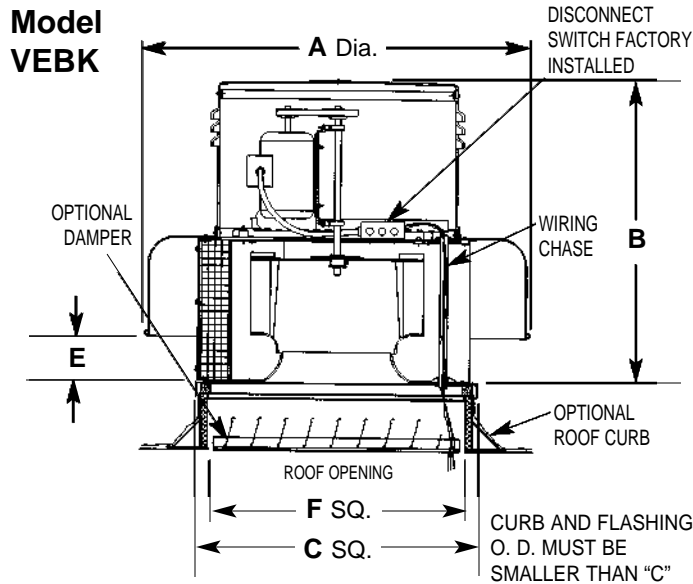


Imperial [IP] Dimensions Metric [SI] on Reverse Side

CARNES COMPANY 448 S. Main St., P. O. Box 930040, Verona, WI 53593-0040 Phone: (608)845-6411 Fax: (608)845-6504 www.carnes.com



STANDARD FEATURES:

- Spun and shaped aluminum housing
- Birdscreen — Galvanized
- Integral motor overload protection on all standard single phase motors
- Disconnect switch on all motors except explosion proof
- Adjustable pitch V-belt drives
- Two belts furnished on 5 HP and above
- Ventilated motor compartment with motor out of airstream
- Non-overloading, backwardly inclined wheel
- Isolated, suspended motor wheel-drive assembly
- Spark resistant construction through size 24
- Polished CRS fan shaft with rust inhibitive coating
- Pillow Block Bearing L₅₀ = 200,000 Hrs

DIMENSIONS [Listed In Inches]

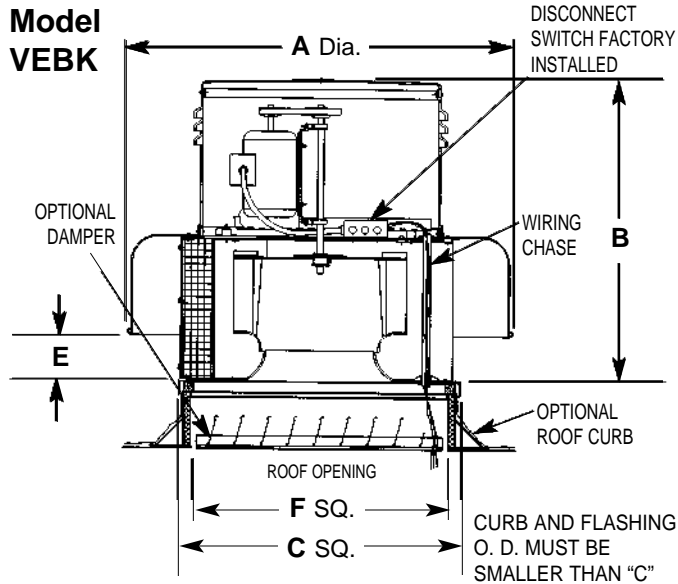
Unit Size	Unit Diameter A	Unit Height B		Inside Curb Cap C	E	Roof Opening Square F	Roof Curb O. D. Square	Damper Size Square	Support Wt. Less Motor [Lbs]
		Standard Height	Extended Height						
06	25-3/4	21-7/8	26-5/8	15-1/2	2-7/8	11	14	10	30
08	25-3/4	23-1/4	28	15-1/2	4-1/4	11	14	10	30
10	27-3/4	23-7/8	28-5/8	17-5/8	3-1/2	13	16	12	35
12	27-3/4	25-1/2	30-1/4	17-5/8	5-1/8	13	16	12	35
15	32-3/4	28-1/2	33-1/4	20-1/2	6-1/2	16	19	15	50
18	37-3/4	29-5/8	34-3/8	25	7-3/4	20-1/2	23-1/2	19	65
21	42-3/4	34-1/8	38-1/8	28-1/8	8-3/4	23-1/2	26-1/2	22	100
24	46-3/4	37-3/8	41-3/8	31-1/8	9-3/4	26-1/2	29-1/2	26	125
30	55-3/4	42-3/8	49-1/8	40-1/8	10-7/8	35-1/2	38-1/2	34	190
36	64-3/4	45-1/4	52	46-1/8	12-3/4	41-1/2	44-1/2	40	310
42	72-3/4	49	55-3/4	54-1/8	14-1/4	49-1/2	52-1/2	48	490
48	80-3/4	51-1/4	58	58-1/8	15-1/8	53-1/2	56-1/2	52	540
54	88-3/4	56-5/8	63-5/8	64-1/8	24-1/8	59-1/2	62-1/2	58	665

STANDARD MATERIAL AND THICKNESS [Listed In Inches]

Unit Size	Motor Cover			Curb Cap [Alum.]	Shaft Dia. [CRS]	Std. Wheel	Wind Band [Alum.]	Diffuser [Alum.]	Support Frame [Steel Angle]
	Lid [Alum.]	Tube [Alum.]	Fan Shroud [Alum.]						
06	.063	.040	.063	.050	3/4	Aluminum	—	.032	—
08	.063	.040	.063	.050	3/4	Aluminum	—	.032	—
10	.063	.040	.063	.063	3/4	Aluminum	—	.050	—
12	.063	.040	.063	.063	3/4	Aluminum	—	.050	—
15	.063	.040	.063	.063	3/4	Aluminum	—	.063	—
18	.063	.040	.080	.063	3/4	Aluminum	—	.080	—
21	.063	.040	.080	.080	1	Aluminum	—	.080	—
24	.063	.040	.080	.080	1	Aluminum	—	.080	—
30	.080	.063	.080	.080	1-3/16	Steel	.032	—	1-1/2x1-1/2x1/8
36	.080	.063	.080	.080	1-7/16	Steel	.032	—	1-1/2x1-1/2x1/4
42	.080	.063	.080	.080	1-15/16	Steel	.040	—	1-1/2x1-1/2x1/4
48	.080	.063	.080	.080	1-15/16	Steel	.040	—	1-1/2x1-1/2x1/4
54	.080	.063	.080	.080	1-15/16	Steel	.032	—	1-1/2x3x1/4

Metric (SI) Dimensions
Imperial [IP] on Reverse Side

CARNES COMPANY 448 S. Main St., P. O. Box 930040, Verona, WI 53593-0040 Phone: (608)845-6411 Fax: (608)845-6504 www.carnes.com



STANDARD FEATURES:

- Spun and shaped aluminum housing
- Birdscreen — Galvanized
- Integral motor overload protection on all standard single phase motors
- Disconnect switch on all motors except explosion proof
- Adjustable pitch V-belt drives
- Two belts furnished on 5 HP and above
- Ventilated motor compartment with motor out of airstream
- Non-overloading, backwardly inclined wheel
- Isolated, suspended motor wheel-drive assembly
- Spark resistant construction through size 24
- Polished CRS fan shaft with rust inhibitive coating
- Pillow Block Bearing L₅₀ = 200,000 Hrs

DIMENSIONS (Listed In Millimeters)

Unit Size	Unit Diameter A	Unit Height B		Inside Curb Cap C	E	Roof Opening Square F	Roof Curb O. D. Square	Damper Size Square	Support Wt. Less Motor (KG)
		Standard Height	Extended Height						
06	654	556	676	394	73	279	356	254	13.6
08	654	591	711	394	108	279	356	254	13.6
10	705	607	727	448	89	330	406	305	15.9
12	705	648	768	448	130	330	406	305	15.9
15	831	724	845	521	165	406	483	381	22.7
18	958	752	873	635	197	521	597	483	29.5
21	1086	867	969	715	222	597	673	559	45.4
24	1187	949	1051	791	248	673	749	660	56.7
30	1416	1076	1248	1019	276	902	977	864	86.1
36	1645	1149	1321	1172	324	1054	1130	1016	140.6
42	1848	1245	1416	1375	362	1257	1334	1219	222.2
48	2051	1302	1473	1477	384	1359	1435	1321	244.9
54	2254	1438	1616	1629	613	1511	1588	1473	301.6

STANDARD MATERIAL AND THICKNESS (Listed In Millimeters)

Unit Size	Motor Cover			Curb Cap [Alum.]	Shaft Dia. [CRS]	Std. Wheel	Wind Band [Alum.]	Diffuser [Alum.]	Support Frame [Steel Angle]
	Lid [Alum.]	Tube [Alum.]	Fan Shroud [Alum.]						
06	1.6	1.0	1.6	1.2	19.0	Aluminum	—	.8	—
08	1.6	1.0	1.6	1.2	19.0	Aluminum	—	.8	—
10	1.6	1.0	1.6	1.6	19.0	Aluminum	—	1.3	—
12	1.6	1.0	1.6	1.6	19.0	Aluminum	—	1.3	—
15	1.6	1.0	1.6	1.6	19.0	Aluminum	—	1.6	—
18	1.6	1.0	2.0	1.6	19.0	Aluminum	—	2.0	—
21	1.6	1.0	2.0	2.0	25.4	Aluminum	—	2.0	—
24	1.6	1.0	2.0	2.0	25.4	Aluminum	—	2.0	—
30	2.0	1.6	2.0	2.0	30.2	Steel	.8	—	38.1x38.1x3.2
36	2.0	1.6	2.0	2.0	36.5	Steel	.8	—	38.1x38.1x6.4
42	2.0	1.6	2.0	2.0	49.2	Steel	1.0	—	38.1x38.1x6.4
48	2.0	1.6	2.0	2.0	49.2	Steel	1.0	—	38.1x38.1x6.4
54	2.0	1.6	2.0	2.0	49.2	Steel	.8	—	38.1x76.2x6.4