

INSTALLATION INSTRUCTIONS

MODEL VXIAME & VIBK/VIDK INLINE DUCT FAN HANGER BRACKET AND MOUNTING FEET VXIAVE WHICH CONSISTS OF VXIAHE & VXIAME

CARNES COMPANY, 448 S. Main St., P. O. Box 930040, Verona, WI. 53593-0040 Phone:608/845-6411 Fax: 608/845-6504 carnes@carnes.com www.carnes.com

CAUTION!
DO NOT ASSEMBLE THIS EQUIPMENT UNTIL THESE INSTRUCTIONS HAVE BEEN READ AND UNDERSTOOD. READ AND SAVE THIS SHEET FOR FUTURE USE.

DESCRIPTION

The Model VXIAM Mounting Bracket kit may be installed for ceiling suspension, floor mount, or wall mount and for either vertical or horizontal airflow. The two halves of the bracket can be configured for best hanging arrangement and access panel location. The unit may be installed in any orientation - however, it is preferred that the motor is located either on top or bottom, while maintaining access to motor for service.

INSTALLATION INSTRUCTIONS

Determine unit location, position and unit orientation.

(NOTE: Prior to installation - review the appropriate fan unit Installation, Operating and Maintenance Manual)

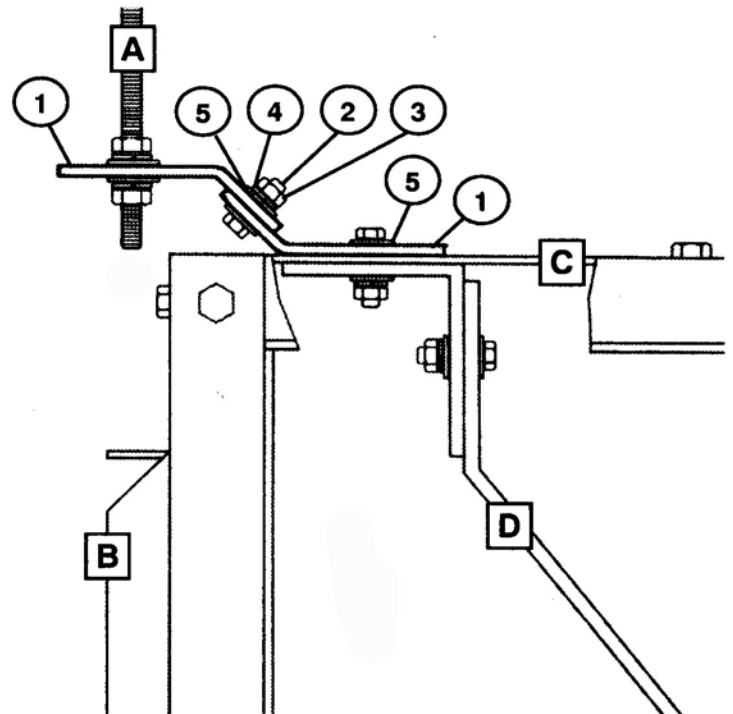
Locate and punch out four cabinet knockouts located on cabinet top and/or bottom panels. Refer to the parts list and assemble the brackets to the unit - using the drawing as a general guide. Make certain that all connections are tight.

Floor mount - Secure the unit mounting feet to the supporting structure with the appropriate RIS or spring vibration isolator mounts.

Ceiling hung - Secure the unit from structure above with 3/8" Dia. threaded rod (or other suitable method) with the appropriate RIS or spring vibration isolator hangers.

NOTES

- A. HANGER ROD ASSEMBLY - BY OTHERS
- B. ACCESS PANEL FLANGE
- C. CABINET TOP (OR BOTTOM)
- D. INTERNAL STRUCTURE



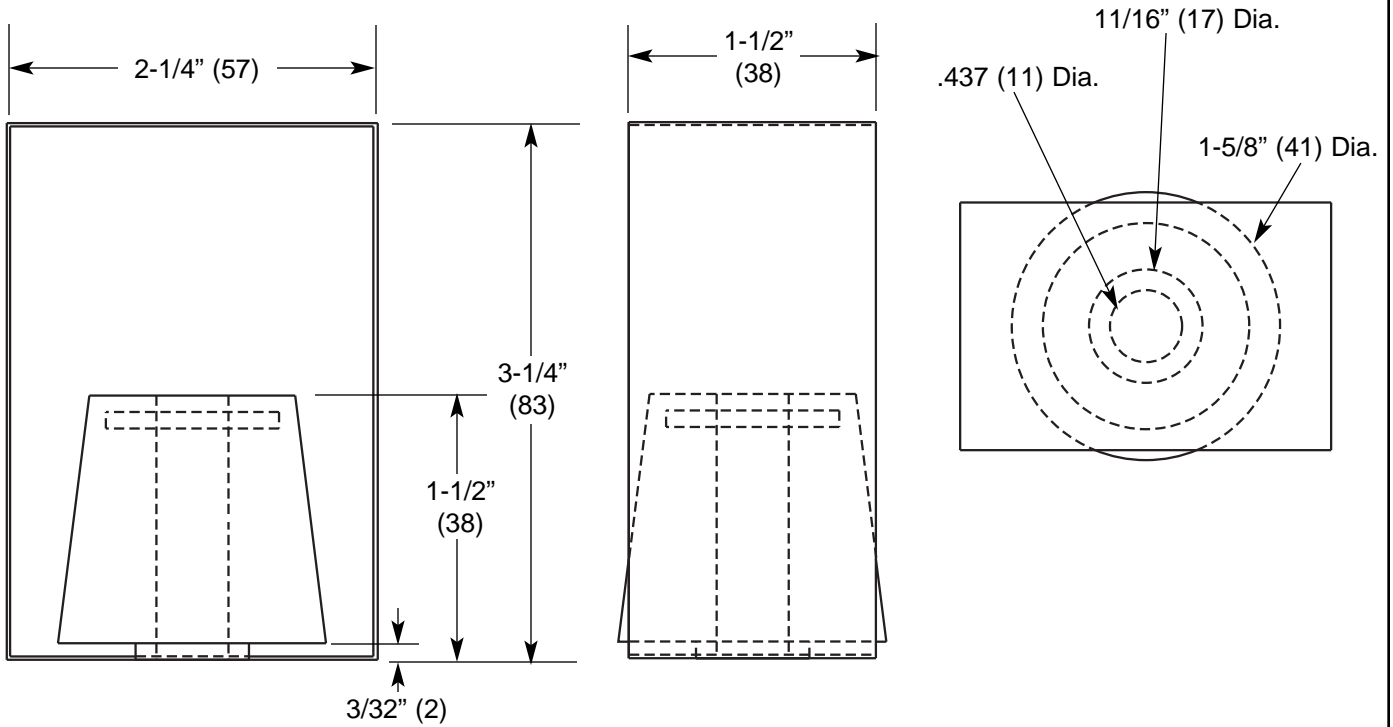
**INSTALL UNIT CASING LEVEL AND PLUMB
 ATTACH DUCT WORK WITH FLEXIBLE CONNECTORS - INLET OR OUTLET**

PARTS LIST

No.	Qty Per Unit	Description
1	8	HANGER ANGLE WITH 1/2" DIA. HOLES
2	8	7/16" - 14 x 1-1/2" BOLT
3	8	7/16" - NUT
4	8	7/16" LOCK WASHER

Imperial [IP] Dimensions
Metric (SI) in Parentheses

CARNES COMPANY 448 S. Main St., P. O. Box 930040, Verona, WI 53593-0040 Phone: (608)845-6411 Fax: (608)845-6504 www.carnes.com



Average Durometer reading = 48

Deflection in Inches	Force in Pounds
0.000	0.000
0.025	8.030
0.050	18.830
0.075	27.850
0.100	38.700
0.200	75.700
0.250	93.000
0.500	162.150

