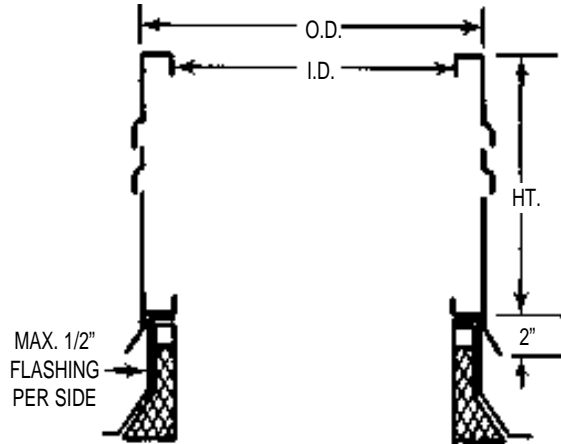


Standard Dimensions  
(Metric on Reverse Side)

CARNES COMPANY 448 S. Main St., P. O. Box 930040, Verona, WI 53593-0040 Phone: (608)845-6411 Fax: (608)845-6470 www.carnes.com

**FOR USE WITH MODEL VRBK RESTAURANT EXHAUST FAN  
AND STANDARD ROOF CURB**



**ALL DIMENSIONS LISTED IN INCHES**

VRBK SIZE	CURB CAP ID	CURB O.D.	EXT. O.D. (SIZE)	EXT. I.D.	EXT. HT.*
06	15-1/2	14	15	12	18
08	15-1/2	14	15	12	18
10	17-5/8	16	17	14	16
12	17-5/8	16	17	14	16
15	20-1/2	19	20	17	12
18	25	23-1/2	24-1/2	21-1/2	10
21	28-1/8	26-1/2	27-1/2	24-1/2	10
24	31-1/8	29-1/2	30-1/2	27-1/2	10
30	40-1/8	38-1/2	39-1/2	36-1/2	10
36	46-1/2	44-1/2	45-1/2	42-1/2	10
42	54-1/8	52-1/2	53-1/2	50-1/2	10
48	58-1/8	56-1/2	57-1/2	54-1/2	10

**STANDARD CONSTRUCTION**

- Continuously welded 18 gauge galvanized steel.
- Neoprene gasketing (For Field Installation).
- 5" wide by 1" high louvered slots, 4 per side, on all sides.
- No insulation; no wood nailer.
- Aluminum construction optional.

*\*Extension height based on use of 8" high curb. Extension height selected to allow 18" welded duct height and maintain 40" discharge height required per NFPA 96.*

LOCATION/MARK	QUANTITY	MODEL	SIZE	HEIGHT	OPTION

**NOTES**

PROJECT:

ARCHITECT:

CONTRACTOR:

DATE:

SUBMITTED BY:

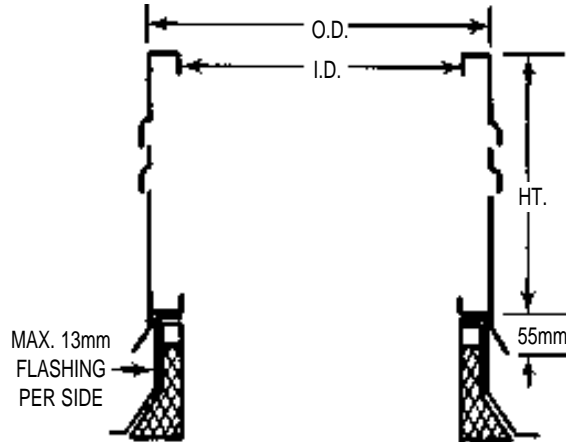
ENGINEER:

Page \_\_\_\_\_ of \_\_\_\_\_

Metric Dimensions  
(Standard on Reverse Side)

CARNES COMPANY 448 S. Main St., P. O. Box 930040, Verona, WI 53593-0040 Phone: (608)845-6411 Fax: (608)845-6470 www.carnes.com

**FOR USE WITH MODEL VRBK RESTAURANT EXHAUST FAN  
AND STANDARD ROOF CURB**



**ALL DIMENSIONS LISTED IN MILLIMETERS**

VRBK SIZE	CURB CAP ID	CURB O.D.	EXT. O.D. (SIZE)	EXT. I.D.	EXT. HT.*
06	394	356	381	305	457
08	394	356	381	305	457
10	448	406	432	356	406
12	448	406	432	356	406
15	521	483	508	432	305
18	635	597	622	546	254
21	714	673	699	622	254
24	791	749	775	699	254
30	1019	978	1003	927	254
36	1172	1130	1156	1080	254
42	1375	1334	1359	1283	254
48	1476	1435	1461	1384	254

**STANDARD CONSTRUCTION**

- Continuously welded 18 gauge galvanized steel.
- Neoprene gasketing (For Field Installation).
- 127mm wide by 25mm high louvered slots, 4 per side, on all sides.
- No insulation; no wood nailer.
- Aluminum construction optional.

*\*Extension height based on use of 203mm high curb. Extension height selected to allow 457mm welded duct height and maintain 1016mm discharge height required per NFPA 96.*

LOCATION/MARK	QUANTITY	MODEL	SIZE	HEIGHT	OPTION

**NOTES**

PROJECT:			ARCHITECT:		
CONTRACTOR:		DATE:	SUBMITTED BY:		ENGINEER:

Page \_\_\_\_\_ of \_\_\_\_\_