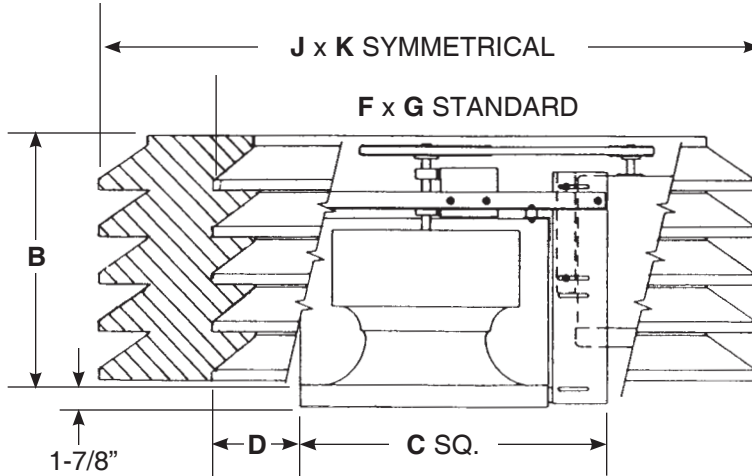


**Imperial [IP] Dimensions
Metric (SI) on Reverse Side**

CARNES COMPANY 448 S. Main St., P. O. Box 930040, Verona, WI 53593-0040 Phone: (608)845-6411 Fax: (608)845-6504 www.carnes.com

MODEL VLBK



STANDARD FEATURES

- Mitered and welded extruded aluminum housing.
- Galvanized birdscreen.
- Integral motor overload protection on all standard single phase motors.
- Disconnect switch on all motors except explosion proof.
- Adjustable pitch V-belt drives.
- Non-overloading, backwardly inclined wheel.
- Isolated suspended motor wheel-drive assembly.
- Spark resistant construction thru size 24.
- Polished CRS fan shaft with rust inhibitive coating.
- Corrosion resistant aluminum curb cap.

STANDARD MATERIAL AND THICKNESS

Unit Size	Louvered Housing (Alum.)	Lid (Alum.)	Curb Cap (Alum.)	Shaft Dia. (CRS)	Standard Wheel	Wind Band (Alum.)	Diffuser (Alum.)	Support Frame (Steel Angle)
06	.063	.063	.050	3/4"	Aluminum	—	.032	—
08	.063	.063	.050	3/4"	Aluminum	—	.032	—
10	.063	.063	.063	3/4"	Aluminum	—	.050	—
12	.063	.063	.063	3/4"	Aluminum	—	.050	—
15	.063	.063	.063	3/4"	Aluminum	—	.063	—
18	.063	.063	.063	3/4"	Aluminum	—	.080	—
21	.063	.063	.080	1"	Aluminum	—	.080	—
24	.063	.063	.080	1"	Aluminum	—	.080	—
30	.063	.063	.080	1-3/16"	Steel	.032	—	1-1/2" x 1-1/2" x 1/8"
36	.063	.063	.080	1-7/16"	Steel	.032	—	1-1/2" x 1-1/2" x 1/4"
42	.063	.063	.080	1-15/16"	Steel	.040	—	1-1/2" x 1-1/2" x 1/4"
48	.063	.063	.080	1-15/16"	Steel	.040	—	1-1/2" x 1-1/2" x 1/4"
54	.063	.063	.080	1-15/16"	Steel	.032	—	1-1/2" x 3" x 1/4"

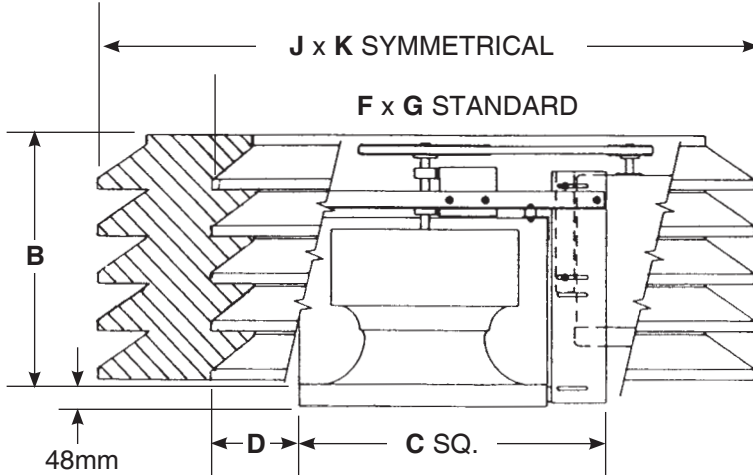
STANDARD DIMENSIONS LISTED IN INCHES

Unit Size	Hood Size		Unit Height B	Inside Curb Cap C	Over Hang D	Roof Opening Sq.	Curb O. D. Sq.	Damper Size Sq.	Approx. Wt. Less Motor (Lbs.)
	F x G	J x K							
06	35 x 30	45-7/8 x 30	14-1/2	15-1/2	7-1/4	11	14	10	45
08	35 x 30	45-7/8 x 30	15-7/8	15-1/2	7-1/4	11	14	10	45
10	37-1/2 x 30	45-3/4 x 30	16-1/2	17-5/8	6-3/16	13	16	12	50
12	37-1/2 x 30	50-3/4 x 30	18-1/2	17-5/8	6-13/16	13	16	12	50
15	41-3/8 x 30	53-5/8 x 30	21	20-1/2	4-3/4	16	19	15	65
18	45-7/8 x 34-5/8	58-1/8 x 34-5/8	22-1/8	25	4-13/16	20-1/2	23-1/2	19	85
21	49 x 38	61-1/4 x 38	22-3/8	28-1/8	4-15/16	23-1/2	26-1/2	22	120
24	53-1/2 x 40	67-1/4 x 40	25-5/8	31-1/8	4-7/16	26-1/2	29-1/2	26	145
30	64-3/4 x 48-1/2	81-1/4 x 48-1/2	29-3/8	40-1/8	4-3/16	35-1/2	38-1/2	34	210
36	72-1/2 x 54-1/2	90-1/4 x 54-1/2	32-1/8	46-1/8	4-3/16	41-1/2	44-1/2	40	335
42	80-1/4 x 62-1/2	98 x 62-1/2	36-1/2	54-1/8	4-3/16	49-1/2	52-1/2	48	515
48	84-1/4 x 66-1/2	102 x 66-1/2	38-3/4	58-1/8	4-3/16	53-1/2	56-1/2	52	505
54	90-1/4 x 72-1/2	108 x 72-1/2	44-3/4	64-1/8	4-3/16	59-1/2	62-1/2	58	690

Metric (SI) Dimensions
Imperial [IP] on Reverse Side

CARNES COMPANY 448 S. Main St., P. O. Box 930040, Verona, WI 53593-0040 Phone: (608)845-6411 Fax: (608)845-6504 www.carnes.com

MODEL VLBK



STANDARD FEATURES

- Mitered and welded extruded aluminum housing.
- Galvanized birdscreen.
- Integral motor overload protection on all standard single phase motors.
- Disconnect switch on all motors except explosion proof.
- Adjustable pitch V-belt drives.
- Non-overloading, backwardly inclined wheel.
- Isolated suspended motor wheel-drive assembly.
- Spark resistant construction thru size 24.
- Polished CRS fan shaft with rust inhibitive coating.
- Corrosion resistant aluminum curb cap.

STANDARD MATERIAL AND THICKNESS

Unit Size	Louvered Housing (Alum.)	Lid (Alum.)	Curb Cap (Alum.)	Shaft Dia. (CRS)	Standard Wheel	Wind Band (Alum.)	Diffusor (Alum.)	Support Frame (Steel Angle)
06	1.6	1.6	1.3	19	Aluminum	—	.8	—
08	1.6	1.6	1.3	19	Aluminum	—	.8	—
10	1.6	1.6	1.6	19	Aluminum	—	1.3	—
12	1.6	1.6	1.6	19	Aluminum	—	1.3	—
15	1.6	1.6	1.6	19	Aluminum	—	1.6	—
18	1.6	1.6	1.6	19	Aluminum	—	2.0	—
21	1.6	1.6	2.0	25	Aluminum	—	2.0	—
24	1.6	1.6	2.0	25	Aluminum	—	2.0	—
30	1.6	1.6	2.0	30	Steel	.8	—	38 x 38 x 3
36	1.6	1.6	2.0	36	Steel	.8	—	38 x 38 x 6
42	1.6	1.6	2.0	49	Steel	1.0	—	38 x 38 x 6
48	1.6	1.6	2.0	49	Steel	1.0	—	38 x 38 x 6
54	1.6	1.6	2.0	49	Steel	.8	—	38 x 76 x 6

STANDARD DIMENSIONS LISTED IN MILLIMETERS

Unit Size	Hood Size		Unit Height B	Inside Curb Cap C	Over Hang D	Roof Opening Sq.	Curb O. D. Sq.	Damper Size Sq.	Approx. Wt. Less Motor (Kg.)
	F x G	J x K							
06	889 x 762	1165x 762	368	394	184	279	356	254	21
08	889 x 762	1165x 762	403	394	184	279	356	254	21
10	953 x 762	1289 x 762	419	448	157	330	406	305	23
12	953 x 762	1289 x 762	460	448	157	330	406	305	23
15	1051 x 762	1362 x 762	533	521	121	406	483	381	30
18	1165 x 879	1476 x 879	562	635	122	521	597	483	39
21	1245 x 965	1556 x 965	568	714	126	597	673	559	54
24	1359 x 1016	1708 x 1016	651	791	113	673	749	660	66
30	1645 x 1232	2064 x 1232	746	1029	102	902	978	864	95
36	1835 x 1384	2292 x 1384	816	1172	106	1054	1130	1016	152
42	2038 x 1588	2489 x 1588	927	1374	107	1257	1334	1219	234
48	2140 x 1689	2591 x 1689	984	1476	107	1359	1435	1321	230
54	2292 x 1842	2743 x 1842	1137	1629	107	1511	1588	1473	313