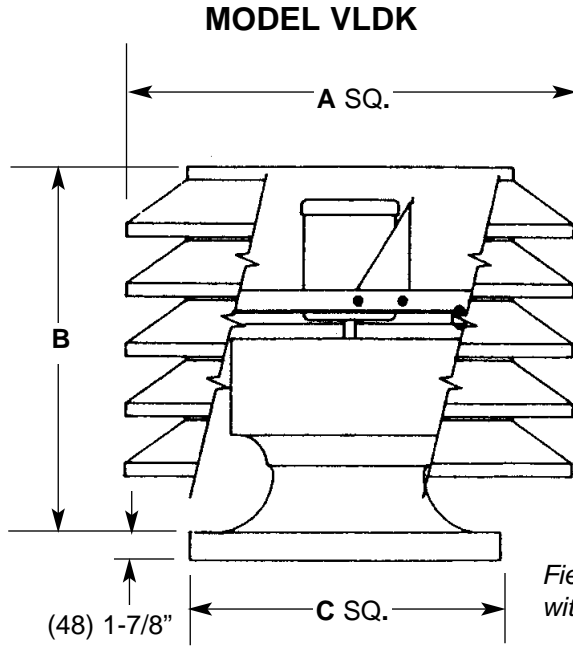


**Imperial [IP] Dimensions
Metric (SI) In Parentheses**

CARNES COMPANY 448 S. Main St., P. O. Box 930040, Verona, WI 53593-0040 Phone: (608)845-6411 Fax: (608)845-6504 www.carnes.com



STANDARD FEATURES

- Mitered and welded extruded aluminum housing
- Galvanized birdscreen
- Integral motor overload protection on all standard single phase motors
- Disconnect switch on all motors except explosion proof
- Non-overloading, backwardly inclined wheel
- Isolated suspended motor wheel-drive assembly
- Spark resistant construction thru size 18

Field wiring of motor, disconnect and conduit are to be in accordance with specifications and local codes.

STANDARD MATERIAL AND THICKNESS

Unit Size	Louvered Housing (Aluminum)	Lid (Aluminum)	Curb Cap (Aluminum)	Standard Wheel	Diffuser (Aluminum)
06	.063 (1.6)	.063 (1.6)	.050 (1.3)	Aluminum	.032 (.8)
08	.063 (1.6)	.063 (1.6)	.050 (1.3)	Aluminum	.032 (.8)
10	.063 (1.6)	.063 (1.6)	.063 (1.6)	Aluminum	.050 (1.3)
12	.063 (1.6)	.063 (1.6)	.063 (1.6)	Aluminum	.050 (1.3)
15	.063 (1.6)	.063 (1.6)	.063 (1.6)	Aluminum	.063 (1.6)
18	.063 (1.6)	.063 (1.6)	.063 (1.6)	Aluminum	.080 (2.0)

STANDARD DIMENSIONS LISTED IN INCHES (In Millimeters)

Unit Size	Housing A Sq.	Unit Height B	Inside Curb Cap C	Roof Opening Sq.	Curb O. D. Sq.	Damper Size Sq.	Approx. Wt. Less Motor Lbs. (Kg.)
06	26 (660)	19-3/8 (492)	15-1/2 (394)	11 (279)	14 (356)	10 (254)	45 (21)
08	26-3/4 (679)	20-3/4 (527)	15-1/2 (394)	11 (279)	14 (356)	10 (254)	45 (21)
10	30 (762)	21-3/8 (543)	17-5/8 (448)	13 (330)	16 (406)	12 (305)	50 (23)
12	30 (762)	23 (584)	17-5/8 (448)	13 (330)	16 (406)	12 (305)	50 (23)
15	30 (762)	29-7/8 (759)	20-1/2 (521)	16 (406)	19 (483)	15 (381)	65 (30)
18	34-5/8 (879)	31 (787)	25 (635)	20-1/2 (521)	23-1/2 (597)	19 (483)	80 (36)