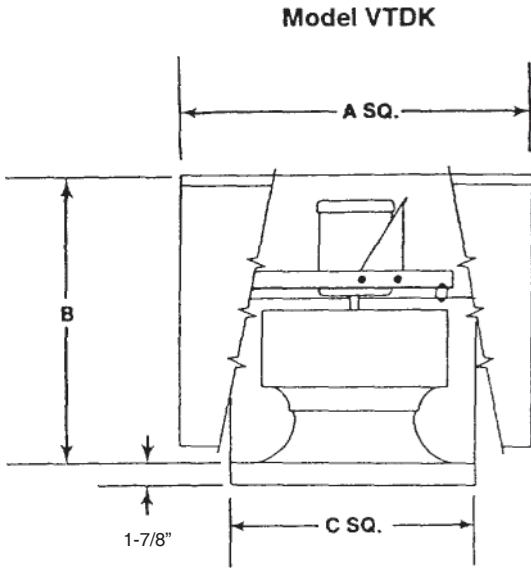


Standard Dimensions
(Metric on Reverse Side)

CARNES COMPANY 448 S. Main St., P. O. Box 930040, Verona, WI 53593-0040 Phone: (608)845-6411 Fax: (608)845-6504 www.carnes.com



STANDARD FEATURES

Construction:

- Galvanized steel housing (aluminum optional).
- Galvanized birdscreen.
- Corrosion resistant, aluminum curb cap.
- Integral motor overload protection on all standard single phase motors.
- Disconnect switch on all motors except explosion proof.
- Non-overloading, backwardly inclined wheel.
- Isolated suspended motor wheel-drive assembly.
- Spark resistant construction thru size 18.

ACCESSORIES:

- JCFAG = Roof curb – galvanized
- JDFAA = Roof curb – aluminum
- JDHAA = Automatic damper
- JDHAM = Motorized damper
- JXUA = 3 amp speed control
- JXVA = 6 amp speed control
- JXWA = 10 amp speed control
- ARC = Epoxy coating
- PC = Prime coat

DIRECT DRIVE

Field wiring of motor, disconnect and conduit are to be in accordance with specifications and local codes.

DIMENSIONS LISTED IN INCHES

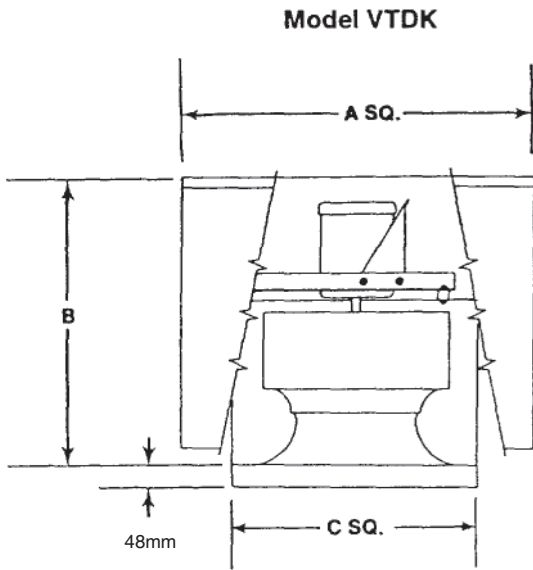
UNIT SIZE	Housing A SQ.	Unit Height B	Inside Curb Cap C SQ.	Roof Opening SQ.	Curb O.D. SQ.	Damper Size SQ.	Unit Weight LBS.
06	26	19-3/8	15-1/2	11	14	10	45
08	26	20-3/4	15-1/2	11	14	10	45
10	30	21-3/8	17-5/8	13	16	12	50
12	30	23	17-5/8	13	16	12	50
15	30	29-7/8	20-1/2	16	19	15	65
18	34-5/8	31	25	20-1/2	23-1/2	19	80

FAN NO. LOCATION	QTY	MODEL/SIZE	CFM	SP	FAN RPM	SONES	MOTOR			ACCESSORIES
							HP	ELECTRICAL	TYPE	
NOTES										
PROJECT:								ARCHITECT:		
CONTRACTOR:				DATE:		SUBMITTED BY:			ENGINEER:	

Page _____ of _____

Metric Dimensions
(Standard on Reverse Side)

CARNES COMPANY 448 S. Main St., P. O. Box 930040, Verona, WI 53593-0040 Phone: (608)845-6411 Fax: (608)845-6504 www.carnes.com



STANDARD FEATURES

Construction:

- Galvanized steel housing (aluminum optional).
- Galvanized birdscreen.
- Corrosion resistant, aluminum curb cap.
- Integral motor overload protection on all standard single phase motors.
- Disconnect switch on all motors except explosion proof.
- Non-overloading, backwardly inclined wheel.
- Isolated suspended motor wheel-drive assembly.
- Spark resistant construction thru size 18.

ACCESSORIES:

- JCFAG = Roof curb – galvanized
- JDFAA = Roof curb – aluminum
- JDHAA = Automatic damper
- JDHAM = Motorized damper
- JXUA = 3 amp speed control
- JXVA = 6 amp speed control
- JXWA = 10 amp speed control
- ARC = Epoxy coating
- PC = Prime coat

DIRECT DRIVE

Field wiring of motor, disconnect and conduit are to be in accordance with specifications and local codes.

DIMENSIONS LISTED IN MILLIMETERS							
UNIT SIZE	Housing A SQ.	Unit Height B	Inside Curb Cap C SQ.	Roof Opening SQ.	Curb O.D. SQ.	Damper Size SQ.	Unit Weight KG.
06	660	492	394	279	356	254	21
08	660	527	394	279	256	254	21
10	762	543	448	330	406	305	23
12	762	584	448	330	406	305	23
15	762	759	521	406	483	381	30
18	879	787	635	521	597	483	36

FAN NO. LOCATION	QTY	MODEL/SIZE	CFM	SP	FAN RPM	SONES	MOTOR			ACCESSORIES
							HP	ELECTRICAL	TYPE	
NOTES										
PROJECT:								ARCHITECT:		
CONTRACTOR:				DATE:		SUBMITTED BY:			ENGINEER:	

Page _____ of _____