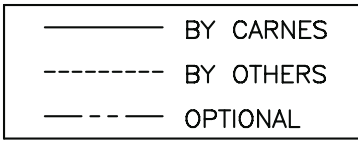
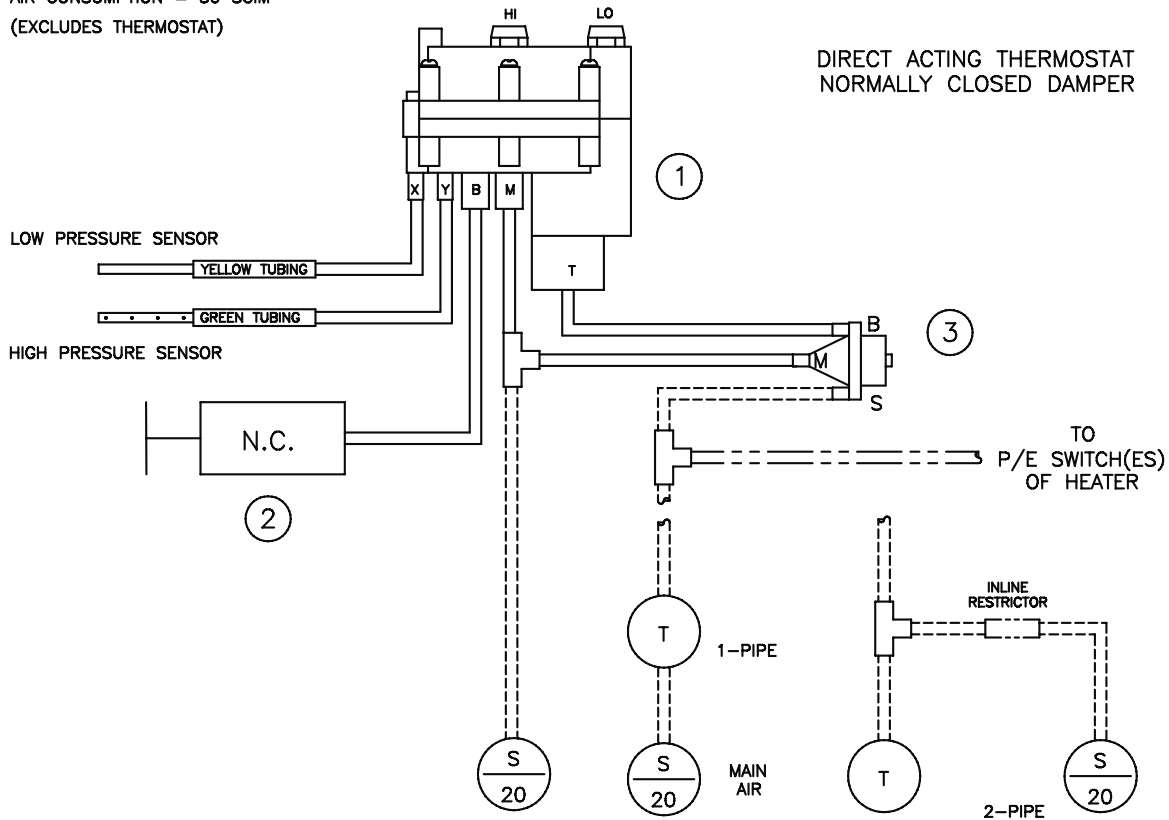


CARNES COMPANY, 448 S. Main St., P. O. Box 930040, Verona, WI. 53593-0040 Phone: 608/845-6411 Fax: 608/845-6470 E-Mail: carnes@carnes.com www.carnes.com



ITEM	PART NO.	DESCRIPTION
1	999-2826	REVERSE ACTING CONTROLLER (GRAY)
2	AXBAG	ACTUATOR (8-13 PSI)
3	999-3142	REVERSING RELAY

AIR CONSUMPTION = 30 SCIM  
(EXCLUDES THERMOSTAT)



### SEQUENCE OF OPERATION

WITH AN INCREASE IN ROOM TEMPERATURE, THERMOSTAT PRESSURE IS INCREASED CAUSING THE DAMPER TO OPEN TOWARDS THE MAXIMUM CFM SETTING TO SATISFY ROOM SET-POINT.

WITH A DECREASE IN ROOM TEMPERATURE, THERMOSTAT PRESSURE IS DECREASED CAUSING THE DAMPER TO CLOSE TOWARDS THE MINIMUM CFM SETTING TO SATISFY ROOM SET-POINT.

MINIMUM AND MAXIMUM CFM SETTINGS ARE FACTORY SET, AND MAINTAINED BY THE VOLUME REGULATOR.

WHEN THE SYSTEM IS DESIGNED WITH REHEAT, HEATING STAGES ARE ENERGIZED AT THE APPROPRIATE PRESSURE SETTINGS.

### CONTROL DIAGRAM

