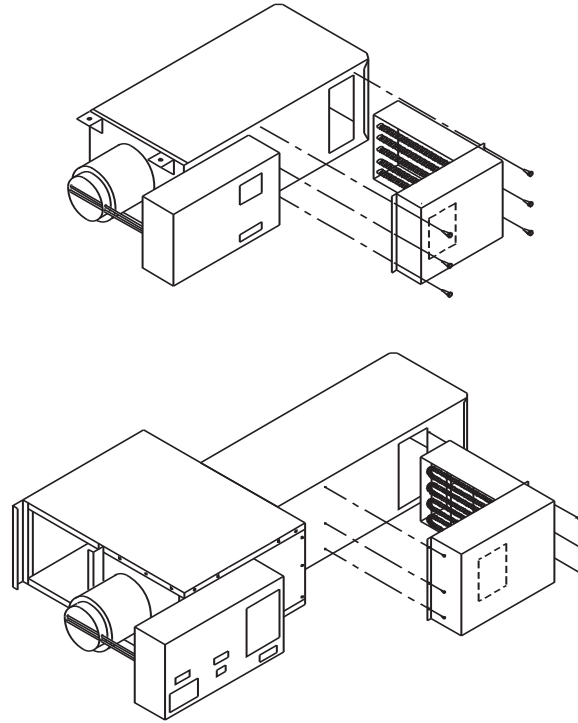
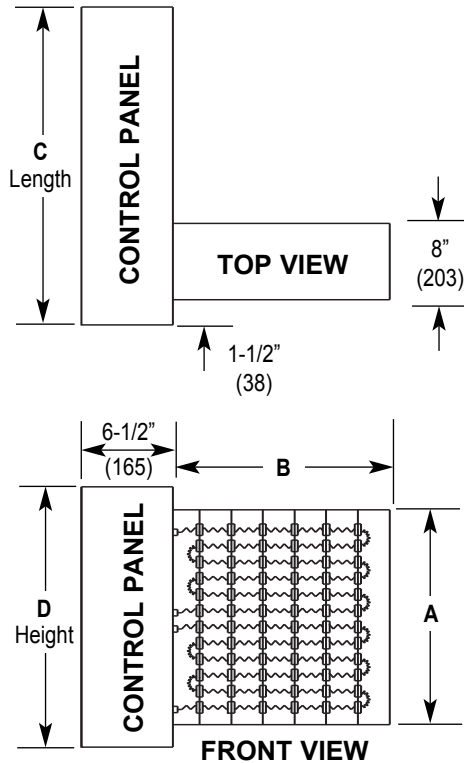


Imperial [IP] Dimensions
Metric (SI) in Parentheses

CARNES COMPANY 448 S. Main St., P. O. Box 930040, Verona, WI 53593-0040 Phone: (608)845-6411 Fax: (608)845-6504 www.carnes.com



Dimensions Listed in Inches (Millimeters)						
Coil Size Code	VAV Discharge Size		Heater Size		Control Panel	
	Height	Width	A	B	C	D
A	8 (203)	12 (305)	5-11/16 (144)	11-5/8 (295)	21-1/2 (546)	12 (305)
B	10 (254)	12 (305)	8-11/16 (221)	11-5/8 (295)	21-1/2 (546)	12 (305)
C	10 (254)	14 (356)	8-11/16 (221)	13-5/8 (346)	21-1/2 (546)	14 (356)
D	15 (381)	14 (356)	9-11/16 (246)	13-5/8 (346)	21-1/2 (546)	14 (356)
E	12-1/2 (318)	14 (356)	10-5/8 (270)	13-5/8 (346)	21-1/2 (546)	14 (356)
F	12-1/2 (318)	14 (356)	10-5/8 (270)	13-5/8 (346)	21-1/2 (546)	12 (305)
G	10-1/2 (267)	12 (305)	8-11/16 (221)	11-5/8 (295)	20 (508)	10-1/2 (267)
H	15 (381)	16 (406)	13-5/8 (346)	15-9/16 (395)	21-1/2 (546)	16 (406)
J	17-1/2 (445)	16 (406)	13-5/8 (346)	15-9/16 (395)	21-1/2 (546)	16 (406)
K	12-1/2 (318)	14 (356)	10-5/8 (270)	13-5/8 (346)	20 (508)	12 (305)
L	17-1/2 (445)	20 (508)	15-5/8 (397)	19-1/2 (495)	21-1/2 (546)	18 (457)
M	18 (457)	24 (610)	15-5/8 (397)	23-7/16 (595)	21-1/2 (546)	18 (457)
N	17-1/2 (445)	24 (610)	13-1/2 (343)	23-7/16 (595)	21-1/2 (546)	18 (457)
R	18-1/4 (463)	42 (1067)	13-5/8 (346)	41-5/16 (1049)	21-1/2 (546)	16 (406)
S	17-1/2 (445)	32 (813)	13-5/8 (346)	31-5/16 (795)	21-1/2 (546)	16 (406)
T	17-1/2 (445)	32 (813)	15-5/8 (397)	31-5/16 (795)	21-1/2 (546)	18 (457)
Y	20 (508)	24 (610)	18-1/2 (470)	23-7/16 (595)	21-1/2 (546)	22 (559)