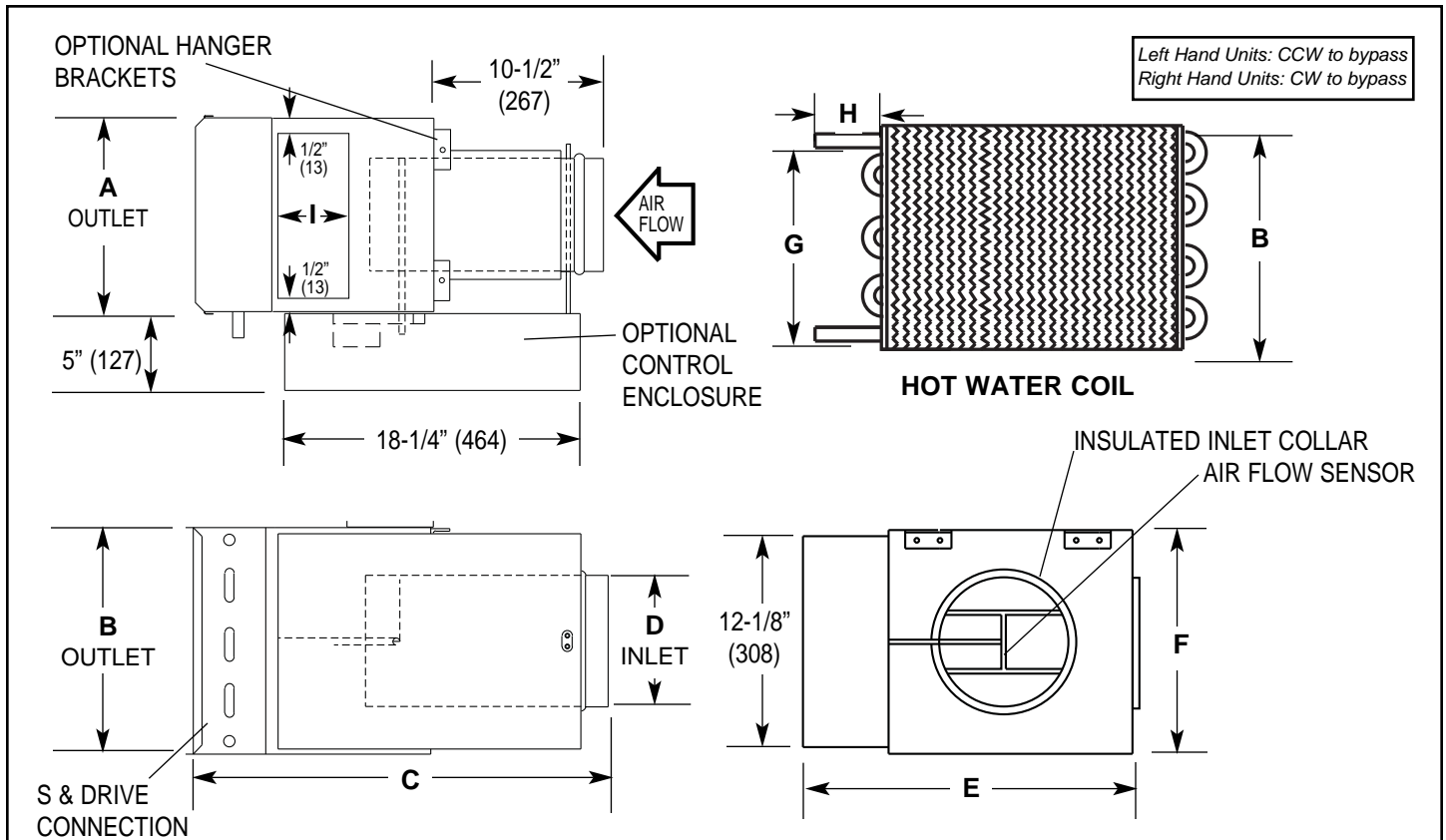


Imperial [IP] Dimensions  
Metric (SI) in Parentheses

CARNES COMPANY 448 S. Main St., P. O. Box 930040, Verona, WI 53593-0040 Phone: (608)845-6411 Fax: (608)845-6470 www.carnes.com



**DIMENSIONAL LISTED IN INCHES (Millimeters)**

Unit Size	CFM Range	Outlet		1-Row	2-Row	Inlet				1-Row		2-Row		O.D. Conn.	
		A	B	C	C	D	E	F	G	H Max.	G	H Max.	1-Row Coil	2-Row Coil	I
06	0-250 (0-118)	12 (305)	10 (254)	23-5/8 (600)	25 (635)	5-7/8 (149)	17 (432)	10-1/8 (257)	6-1/4 (158)	3 (76)	6-7/8 (175)	3 (76)	1/2 (13)	1/2 (13)	4-3/4 (121)
07	0-350 (0-165)	12 (305)	10 (254)	23-5/8 (600)	25 (635)	6-7/8 (175)	17 (432)	10-1/8 (257)	8-3/4 (222)	3 (76)	9-3/8 (238)	3 (76)	1/2 (13)	5/8 (16)	4-3/4 (121)
08	0-500 (0-236)	12 (305)	10 (254)	23-5/8 (600)	25 (635)	7-7/8 (200)	17 (432)	10-1/8 (257)	8-3/4 (222)	3 (76)	9-3/8 (238)	3 (76)	1/2 (13)	5/8 (16)	4-3/4 (121)
10	0-750 (0-354)	14 (356)	12-1/2 (318)	25 (635)	27 (686)	9-7/8 (251)	19 (483)	12-5/8 (320)	11-1/4 (286)	3 (76)	11-7/8 (302)	3 (76)	1/2 (13)	5/8 (16)	5-3/4 (146)
12	0-1150 (0-543)	16 (406)	15 (381)	25-5/8 (651)	27 (686)	11-7/8 (302)	21 (533)	15-1/8 (381)	13-3/4 (349)	3-1/2 (89)	13 (329)	4 (102)	5/8 (16)	7/8 (22)	5-3/4 (146)
14	0-1550 (0-732)	20 (508)	17-1/2 (445)	29-5/8 (752)	31 (787)	13-7/8 (352)	25 (635)	17-5/8 (447)	16-1/4 (412)	3-1/2 (89)	15-1/2 (393)	4 (102)	5/8 (16)	7/8 (22)	7-3/4 (197)
16	0-2100 (0-990)	24 (610)	17-1/2 (445)	30-5/8 (778)	32 (813)	15-7/8 (403)	29 (737)	17-5/8 (447)	16-1/4 (412)	3-1/2 (89)	15-1/2 (393)	4 (102)	5/8 (16)	7/8 (22)	7-3/4 (197)
18	0-2750 (0-1298)	32 (813)	17-1/2 (445)	30-5/8 (778)	32 (813)	15-7/8x17-7/8 (403x454)	37 (939)	17-5/8 (447)	16-1/4 (412)	3-1/2 (89)	15-1/2 (393)	4 (102)	5/8 (16)	7/8 (22)	7-3/4 (197)
24	0-3650 (0-1722)	32 (813)	17-1/2 (445)	30-5/8 (778)	32 (813)	15-7/8x23-7/8 (403x606)	37 (939)	17-5/8 (447)	16-1/4 (412)	3-1/2 (89)	15-1/2 (393)	4 (102)	5/8 (16)	7/8 (22)	7-3/4 (197)