



MIAMI-DADE COUNTY
 PRODUCT CONTROL SECTION
 11805 SW 26 Street, Room 208
 Miami, Florida 33175-2474
 T (786) 315-2590 F (786) 315-2599
www.miamidade.gov/economy

DEPARTMENT OF REGULATORY AND ECONOMIC RESOURCES (RER)
 BOARD AND CODE ADMINISTRATION DIVISION
NOTICE OF ACCEPTANCE (NOA)

Carnes Company, Inc.
 448 South Main Street
 Verona, WI 53593

SCOPE:

This NOA is being issued under the applicable rules and regulations governing the use of construction materials. The documentation submitted has been reviewed and accepted by Miami-Dade County RER-Product Control Section to be used in Miami Dade County and other areas where allowed by the Authority Having Jurisdiction (AHJ).

This NOA shall not be valid after the expiration date stated below. The Miami-Dade County Product Control Section (In Miami Dade County) and/or the AHJ (in areas other than Miami Dade County) reserve the right to have this product or material tested for quality assurance purposes. If this product or material fails to perform in the accepted manner, the manufacturer will incur the expense of such testing and the AHJ may immediately revoke, modify, or suspend the use of such product or material within their jurisdiction. RER reserves the right to revoke this acceptance, if it is determined by Miami-Dade County Product Control Section that this product or material fails to meet the requirements of the applicable building code. This product is approved as described herein, and has been designed to comply with the Florida Building Code, including the High Velocity Hurricane Zone.

DESCRIPTION: Model FRVB/FSVB Aluminum Louver with or without CD-151 Damper

APPROVAL DOCUMENT: Drawing No. 15-246, titled "Carnes Model FRVB/FSVB", sheets 1 through 7 of 7, dated 07/15/2015, prepared by Tilteco, Inc., signed and sealed by Walter A. Tillit Jr., P.E., bearing the Miami-Dade County Product Control renewal stamp with the Notice of Acceptance number and expiration date by the Miami-Dade County Product Control Section.

MISSILE IMPACT RATING: Large and Small Missile Impact Resistant.

LABELING: Each unit shall bear a permanent label with the manufacturer's name or logo, city, state and following statement: "Miami-Dade County Product Control Approved", unless otherwise noted herein.

RENEWAL of this NOA shall be considered after a renewal application has been filed and there has been no change in the applicable building code negatively affecting the performance of this product.

TERMINATION of this NOA will occur after the expiration date or if there has been a revision or change in the materials, use, and/or manufacture of the product or process. Misuse of this NOA as an endorsement of any product, for sales, advertising or any other purposes shall automatically terminate this NOA. Failure to comply with any section of this NOA shall be cause for termination and removal of NOA.

ADVERTISEMENT: The NOA number preceded by the words Miami-Dade County, Florida, and followed by the expiration date may be displayed in advertising literature. If any portion of the NOA is displayed, then it shall be done in its entirety.

INSPECTION: A copy of this entire NOA shall be provided to the user by the manufacturer or its distributors and shall be available for inspection at the job site at the request of the Building Official. This NOA renews NOA # 10-0511.07 and consists of this page 1 and evidence page E-1, as well as approval document mentioned above.

The submitted documentation was reviewed by **Carlos M. Utrera, P.E.**



[Handwritten Signature]
 11/19/2015

NOA No. 15-0720.07
 Expiration Date: August 18, 2020
 Approval Date: November 25, 2015
 Page 1

NOTICE OF ACCEPTANCE: EVIDENCE SUBMITTED

A. DRAWINGS

1. Drawing No. 15-246, titled "Carnes Model FRVB/FSVB", sheets 1 through 7 of 7, dated 07/15/2015, prepared by Tilteco, Inc., signed and sealed by Walter A. Tillit Jr., P.E.

B. TESTS *"Submitted under NOA # 05-0314.02"*

1. Test report on Uniform Static Air Pressure Test per TAS 202-94, Large Missile Impact Test per TAS 201-94 and Cyclic Wind Pressure Loading per TAS 203-94 of 144" x 96" of aluminum louver system with damper prepared by American Test Lab of South Florida, Test Report No. 0203.01-05, dated 03/10/2005, signed and sealed by W. R. Mehner, P.E. and H. Hattem, P.E.
2. Test report of Wind Driven Rain Resistance per TAS (A) 95 on VV-10-D Louver w/ CD151 Parallel Blade Damper, prepared by PRI Asphalt Technologies, Inc, Test Report No. PRI05014, dated 02/08/2005, signed and sealed by C. L. Thomas, P.E.
3. Test report on Tensile Strength per ASTM E-8 of 6 samples, Test Report No. 5BM-187, dated 03/07/2005, signed by Frank Grate.

C. CALCULATIONS *"Submitted under NOA # 09-0203.10"*

1. Anchoring calculations, prepared by Tilteco Inc, dated 01/13/09, sheets 1 through 3 of 3, complying with F.B.C. 2007, signed and sealed by Walter A. Tillit Jr., P.E.

D. QUALITY ASSURANCE

1. Miami-Dade Department of Regulatory and Economic Resources (RER)

E. MATERIAL CERTIFICATIONS

1. None.

F. STATEMENTS

1. Statement letter of code conformance to the 5th edition (2014) FBC issued by Tilteco, Inc., dated 07/15/2015, signed and sealed by Walter A. Tillit Jr., P.E.

"Submitted under NOA # 10-0511.07"

2. Letter of code compliance with FBC 2007, issued by Tilteco, Inc., dated 05/04/2010, signed and sealed by Walter A. Tillit, Jr., P.E.
3. Letter of no financial interest issued by Tilteco, Inc., dated 05/04/2010, signed and sealed by Walter A. Tillit, Jr., P.E.

"Submitted under NOA # 07-0524.02"

4. Private Labeling Agreement dated 05/22/2007.



Carlos M. Utrera, P.E.
Product Control Examiner
NOA No. 15-0720.07
Expiration Date: August 18, 2020
Approval Date: November 25, 2015

GENERAL NOTES:

1.) ALUMINUM LOUVER SYSTEM W/ OR W/O DAMPER SHOWN ON THIS PRODUCT APPROVAL DOCUMENT (P.A.D.) HAS BEEN VERIFIED FOR COMPLIANCE IN ACCORDANCE WITH THE 2014 EDITION OF THE FLORIDA BUILDING CODE. THIS ALUMINUM LOUVER SYSTEM W/ OR W/O DAMPER MAY BE INSTALLED AT HIGH VELOCITY HURRICANE ZONES.

DESIGN WIND LOADS SHALL BE DETERMINED AS PER SECTION 1620 OF THE ABOVE MENTIONED CODE, USING ASCE 7-10 AND SHALL NOT EXCEED THE MAXIMUM (A.S.D.) DESIGN PRESSURE RATINGS INDICATED ON THIS SHEET.

IN ORDER TO VERIFY THE ABOVE CONDITION, ULTIMATE DESIGN WIND LOADS DETERMINED PER ASCE 7-10 SHALL BE FIRST REDUCED TO A.S.D. DESIGN WIND LOADS BY MULTIPLYING THEM BY 0.6 IN ORDER TO TO COMPARE THESE W/ MAX. (A.S.D.) DESIGN PRESSURE RATINGS INDICATED ON THIS SHEET.

ALUMINUM LOUVER SYSTEM W/ OR W/O DAMPER'S ADEQUACY FOR IMPACT AND FATIGUE RESISTANCE HAS BEEN VERIFIED IN ACCORDANCE WITH SECTION 1626 OF THE ABOVE MENTIONED CODE AS PER AMERICAN TESTING LAB REPORT #0203.01-05, AS PER TAS-201, TAS-202, TAS-203, & PRI TECHNOLOGIES LAB REPORT #UEC-001-02-01, PER TAS-100A (WIND DRIVEN RAIN, EXCEEDS ANSI/AMCA 550-09 STANDARD)

2.) ALL ALUMINUM EXTRUSIONS SHALL BE 6063-T5 ALLOY W/ MIN. SPECIFIC YIELD STRENGTHS AS SHOWN ON SHEET 2.

3.) ALL SCREWS TO BE STAINLESS STEEL 304 OR 316 SERIES WITH 50 ksi YIELD POINT AND 90 ksi TENSILE STRENGTH OR CORROSION RESISTANT CARBON STEEL AS PER DIN 50018 AND SHALL COMPLY W/ FLORIDA BUILDING CODE SECTION 2411.3.3.4.

4.) ALL WELDING OF ALUMINUM FRAMING SHALL BE IN ACCORDANCE WITH THE AMERICAN WELDING SOCIETY A.W.S. D.1.2 REGULATIONS. USE CERTIFIED WELDERS. USE ER-5356 ELECTRODES.

5.) ANCHORS TO EXISTING STRUCTURE SHALL BE AS FOLLOWS (SEE SHEET 6):

(A) ANCHORS SHALL BE INSTALLED FOLLOWING ALL OF THE RECOMMENDATIONS AND SPECIFICATIONS OF THE ANCHOR'S MANUFACTURER. E.D. IS BEYOND ANY WALL FINISH.

ANCHOR TYPE	MANUFACTURER	DIAMETER OR GAGE	MIN. EMBEDMENT				MIN. EDGE DISTANCE (E.D)		
			TO CONCRETE (f'c=3192 psi) MIN.	TO CONCRETE BLOCK ASTM (C-90 UNIT)	TO 1/8" MIN. STEEL Fy=33 ksi (MIN.)	TO WOOD (G ≥ 0.55)	CONCRETE OR CONCRETE BLOCK	STEEL	WOOD
TAPCONS	ITW/ BUILDEX	1/4"	1-3/4"	1-1/4"	N/A	1 1/2"	3"	N/A	2"
TEK SCREWS	ITW/ BUILDEX	1/4"	N/A	N/A	3/4"	N/A	N/A	1"	N/A

A.S.D. DESIGN PRESSURE RATING:
+150, -150 psf.

THIS DRAWING SHALL ONLY BE USED TO OBTAIN PERMITS IN THE STATE OF FLORIDA

6.) ALUMINUM LOUVER SYSTEM W/O DAMPER SHALL ONLY BE INSTALLED IN A LOCATION WHERE THE ROOM BEHIND THE LOUVER IS DESIGNED TO DRAIN WATER PENETRATING INTO THE ROOM, AND THE ROOM WILL HOUSE WATER RESISTANT/WATER PROOF EQUIPMENT, COMPONENTS, OR SUPPLIES.

7.) ALUMINUM LOUVER SYSTEM W/ DAMPER MAY BE INSTALLED IN LOCATIONS WHERE THE ROOM BEHIND THE LOUVER IS NOT DESIGNED TO DRAIN WATER PENETRATING INTO THE ROOM, OR THE ROOM WILL HOUSE NON-WATER RESISTANT EQUIPMENT, COMPONENTS, OR SUPPLIES. INSTALLATION ON LOUVER W/ DAMPER IS LIMITED TO 40 FT IN HEIGHT ACCORDING TO TABLE 3 OF TAS 100(A)-95.

8.) CD-151 DAMPER IS AN OPERABLE ASSEMBLY. IT MAY BE OPERATED BY MEANS OF A HAND QUADRANT HANDLE MECHANISM (AS SHOWN ON SHEET 7) OR THROUGH AN ELECTRICAL OR PNEUMATIC ACTUATOR. DAMPER'S OPERATIVE MECHANISM IS NOT PART OF THIS APPROVAL, BUT SHALL BE CERTIFIED BY AN INDEPENDENT TESTING AGENCY.

9. ALL ALUMINUM IN CONTACT W/DISSIMILAR MATERIALS MUST BE PAINTED PER SECTIONS 2003.8.4.2, 2003.8.4.4, 2003.8.4.5 AND 2003.8.4.6 OF THE FLORIDA BUILDING CODE AS APPLICABLE.

10.) IT SHALL BE RESPONSIBILITY OF THE CONTRACTOR TO VERIFY THE SOUNDNESS OF THE STRUCTURE WHERE LOUVER SYSTEM IS TO BE ATTACHED TO INSURE PROPER ANCHORAGE.

11.) (a) THIS PRODUCT APPROVAL DOCUMENT (P.A.D.) PREPARED BY THIS ENGINEER IS GENERIC AND DOES NOT PROVIDE INFORMATION FOR A SPECIFIC PROJECT; i.e. WHERE THE SITE CONDITIONS DEVIATE FROM THE P.A.D.

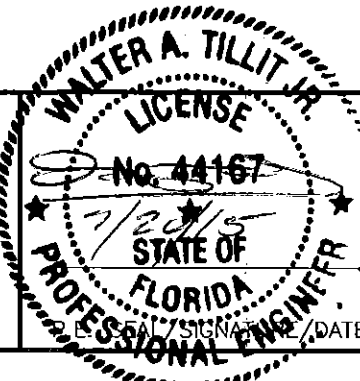
(b) CONTRACTOR TO BE RESPONSIBLE FOR THE SELECTION, PURCHASE AND INSTALLATION INCLUDING LIFE SAFETY OF THIS PRODUCT, BASED ON THIS P.A.D., PROVIDED HE/SHE DOES NOT DEVIATE FROM THE CONDITIONS DETAILED ON THIS DOCUMENT. CONSTRUCTION SAFETY AT SITE IS THE CONTRACTOR'S RESPONSIBILITY.

(c) THIS PRODUCT APPROVAL DOCUMENT WILL BE CONSIDERED INVALID IF MODIFIED.

(D) SITE SPECIFIC PROJECTS SHALL BE PREPARED BY A FLORIDA REGISTERED ENGINEER OR ARCHITECT WHICH WILL BECOME THE ENGINEER OF RECORD (E.O.R.) FOR THE PROJECT AND WHO WILL BE RESPONSIBLE FOR THE PROPER USE OF THE P.A.D.

(E) ORIGINAL P.A.D. SHALL BEAR THE DATE AND ORIGINAL SEAL AND SIGNATURE OF THE PROFESSIONAL ENGINEER THAT PREPARED IT.

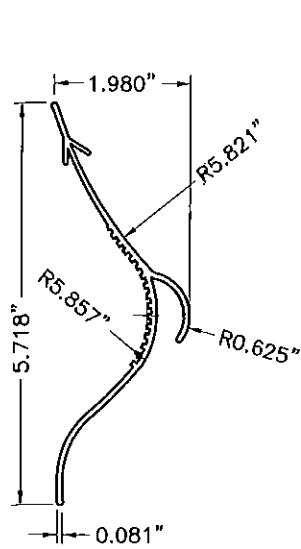
12. PRODUCT MANUFACTURER'S LABEL SHALL BE LOCATED ON A READILY VISIBLE LOCATION AT PRODUCT IN ACCORDANCE WITH SECTION 1710.8.3 OF FLORIDA BUILDING CODE. ONE LABEL SHALL BE PLACED FOR EVERY OPENING. LABELING TO COMPLY WITH SECTION 1710.8.2 OF THE FLORIDA BUILDING CODE. CARNES COMPANY, INC. VERONA, WI MIAMI-DADE COUNTY PRODUCT CONTROL APPROVED.



PRODUCT RENEWED as complying with the Florida Building Code
Acceptance No 15-0720-07
Expiration Date 08/18/2020
By [Signature]
Miami Dade Product Control
MIAMI-DADE COUNTY

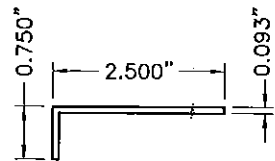
© 2016 TILTECO, INC.
TILTECO Inc.
TILLIT TESTING & ENGINEERING COMPANY
6355 N.W. 36th St., Ste. 305, VIRGINIA GARDENS, FL 33166
Phone : (305)871-1530 . Fax : (305)871-1531
EB-0006719
WALTER A. TILLIT Jr. P.E.
FLORIDA Lic. # 44167

FLORIDA BUILDING CODE (High Velocity Hurricane Zone)					
CARNES MODEL FRVB/FSVB. UNITED ENERTECH, INC. W-10-D ALUMINUM LOUVER W/ OR W/O CD-151 DAMPER ASSEMBLY				DRAWN BY: F.R.L.	
CARNES COMPANY, INC 448 S. MAIN STREET VERONA, WI 53593 PH. (608) 845-6411 FAX: (608) 845-6470				07/15/15 DATE	
				15-246 DRAWING No	
REV. No	DESCRIPTION	DATE	REV. No	DESCRIPTION	DATE
1	OLD 10-040	07/15/15	3		
2			4		
SHEET 1 OF 7					



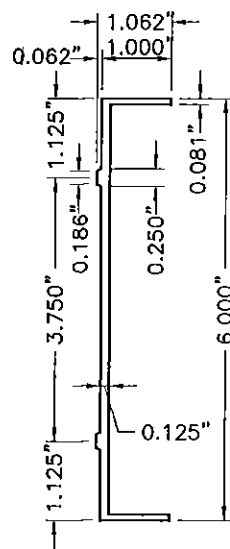
1L VERTICAL BLADE

MATERIAL:
(6063-T5 ALUMINUM ALLOY)
Fy(MIN.)=31.6 ksi



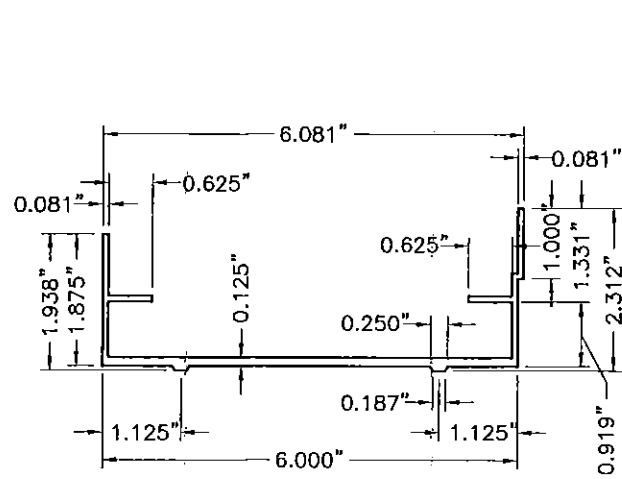
4L 1ST BLADE BLANK-OFF

MATERIAL:
FORMED ALUMINUM
(6063-T5 ALUMINUM ALLOY)



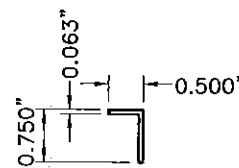
2L JAMB & HEAD

MATERIAL:
(6063-T5 ALUMINUM ALLOY)
Fy(MIN.)=25.3 ksi



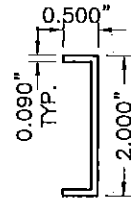
3L SILL

MATERIAL:
(6063-T5 ALUMINUM ALLOY)
Fy(MIN.)=32.7 ksi



5L BLADE'S SPACER

MATERIAL:
(6063-T5 ALUMINUM ALLOY)

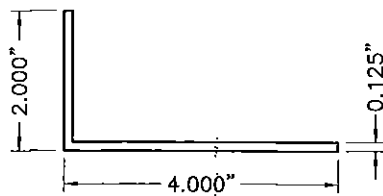


6L ALUM. CHANNEL

MATERIAL:
FORMED ALUMINUM
(6063-T5 ALUMINUM ALLOY)

7L BLANK-OFF PANEL

3 3/4" X .093" CONT ALUM. PLATE
(6063-T5 ALUMINUM ALLOY)

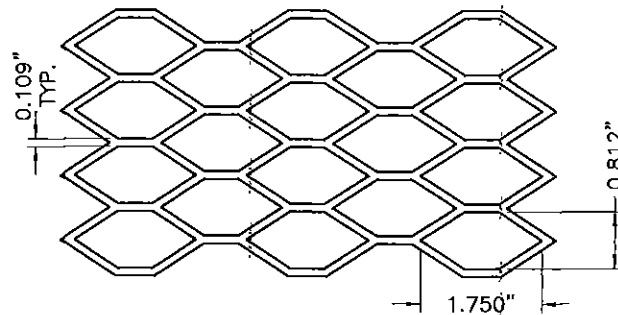


10L TOP & BOTTOM ALUM. ANGLE

MATERIAL:
(6063-T5 ALUMINUM ALLOY)

8L BLANK-OFF PANEL

3 1/8" X .093" CONT ALUM. PLATE
(6063-T5 ALUMINUM ALLOY)



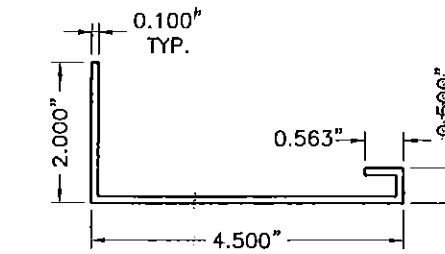
11L REAR MESH

MATERIAL:
NOMINAL 3/4"x0.050" THICK (0.17 lb/SQ. Ft)
(3003-H14 ALUMINUM ALLOY)

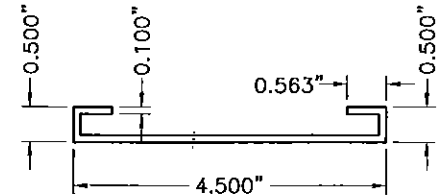
9L COVER STRIP

2" X 1/8" X 92" MAX. ALUM. PLATE
(6063-T5 ALUMINUM ALLOY)

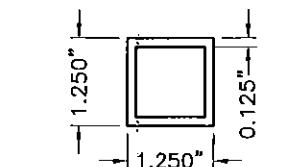
WV-10D LOUVER COMPONENTS



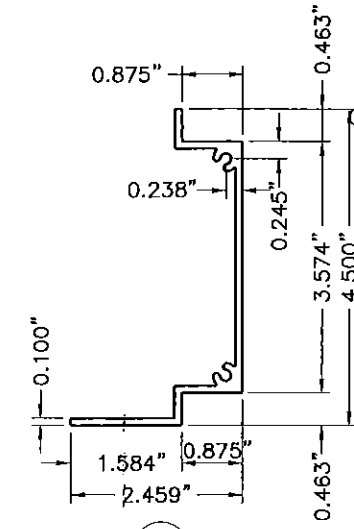
1D HEAD & SILL



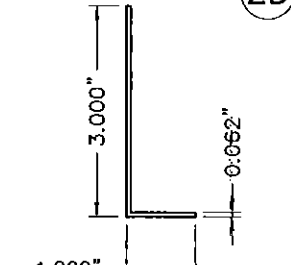
7D MID-HEIGHT HEAD or SILL



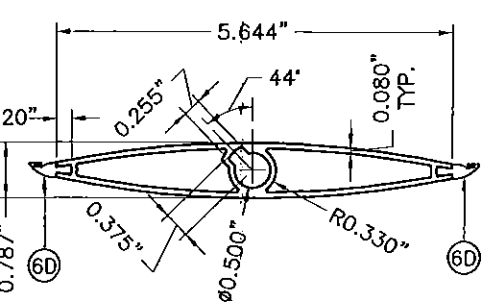
11I INTERMEDIATE TUBE FRAME



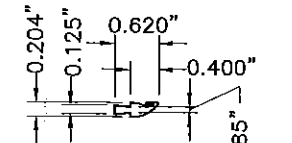
2D JAMB



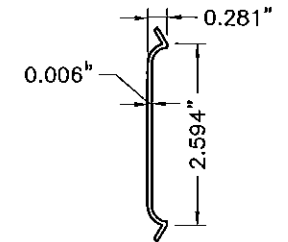
8D ALUM. ANGLE BLADE STOP



3D DAMPER BLADE



6D BLADE SEAL



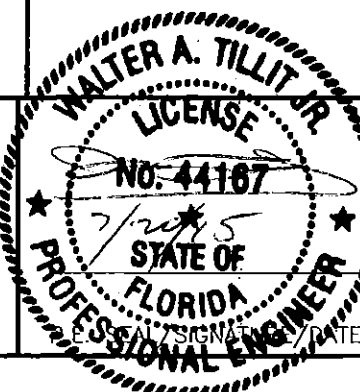
9D JAMB SEAL

CD-151 DAMPER AND INTERMEDIATE TUBE FRAME COMPONENTS (EXCLUDES COMPONENTS FOR OPERATIVE MECHANISM, SEE NOTE 8/1)

BILL OF MATERIALS

ITEM	DESCRIPTION	MATERIAL	SIZE	REMARKS
1D	EXTRUDED ALUM HEAD & SILL	6063-T5 ALUMINUM ALLOY	SEE DETAIL	Fy(MIN.)=33.4 ksi
2D	EXTRUDED ALUM JAMB	6063-T5 ALUMINUM ALLOY	SEE DETAIL	Fy(MIN.)=31.6 ksi
3D	EXTRUDED ALUM DAMPER BLADE	6063-T5 ALUMINUM ALLOY	SEE DETAIL	Fy(MIN.)=31.8 ksi
4D	BUSHING	BRONZE	1/2" I.D.(5/8" O.D.)x1/4"	0.059" THICK @ WASHER SIDE
5D	AXLE PIN	ZAMAC No. 3 ZINC	1/2"x3 1/8"	WITH NYLON WASHER & LOCK RING
6D	BLADE SEAL	SILICONE	SEE DETAIL	ASTM D-2000, 60-65 DUROMETER
7D	MID-HEIGHT EXTRUDED ALUM. HEAD or SILL	6063-T5 ALUMINUM ALLOY	SEE DETAIL	Fy(MIN.)=29.8 ksi
8D	ALUM. ANGLE BLADE STOP	6063-T5 ALUMINUM ALLOY	SEE DETAIL	WITH VINYL WEATHER STRIP AT END OF 3" LEG
9D	JAMB SEAL	STAINLESS STEEL 316 SERIES	SEE DETAIL	ATTACHED TO 2D W/(3) DOUBLE SIDED (1"x1/8") TAPES
10D	SDS TEK SCREWS ITW / BUILDIX	ZINC PLATED STEEL	1/4"x1" LONG	FASTEN TO 6D @ 12" O.C., 2 1/2" FROM ENDS
11I	INTERMEDIATE TUBE FRAME	6063-T5 ALUMINUM ALLOY	SEE DETAIL THIS SHEET AND SHEET 5.	Fy(MIN.)=31.9 ksi INSTALL BETWEEN DAMPER & LOUVER FRAME.

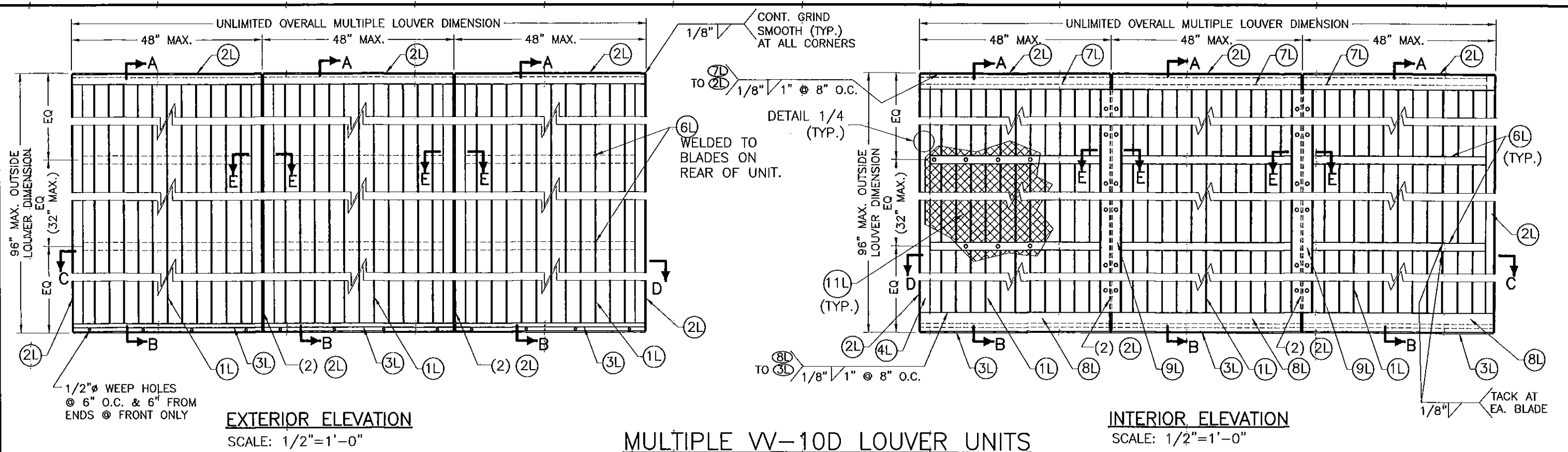
PRODUCT RENEWED
as complying with the Florida Building Code
Acceptance No 15-0720-07
Expiration Date 05/19/2020
By [Signature]
Miami Trade Product Control
MIAMI-DADE COUNTY



© 2015 TILTECO, INC.
TILTECO INC.
TILLIT TESTING & ENGINEERING COMPANY
6355 N.W. 36th St., Ste. 305, VIRGINIA GARDENS, FL 33166
Phone: (305)871-1530, Fax: (305)871-1531
EB-0006719
WALTER A. TILLIT JR., P.E.
FLORIDA Lic. # 44167

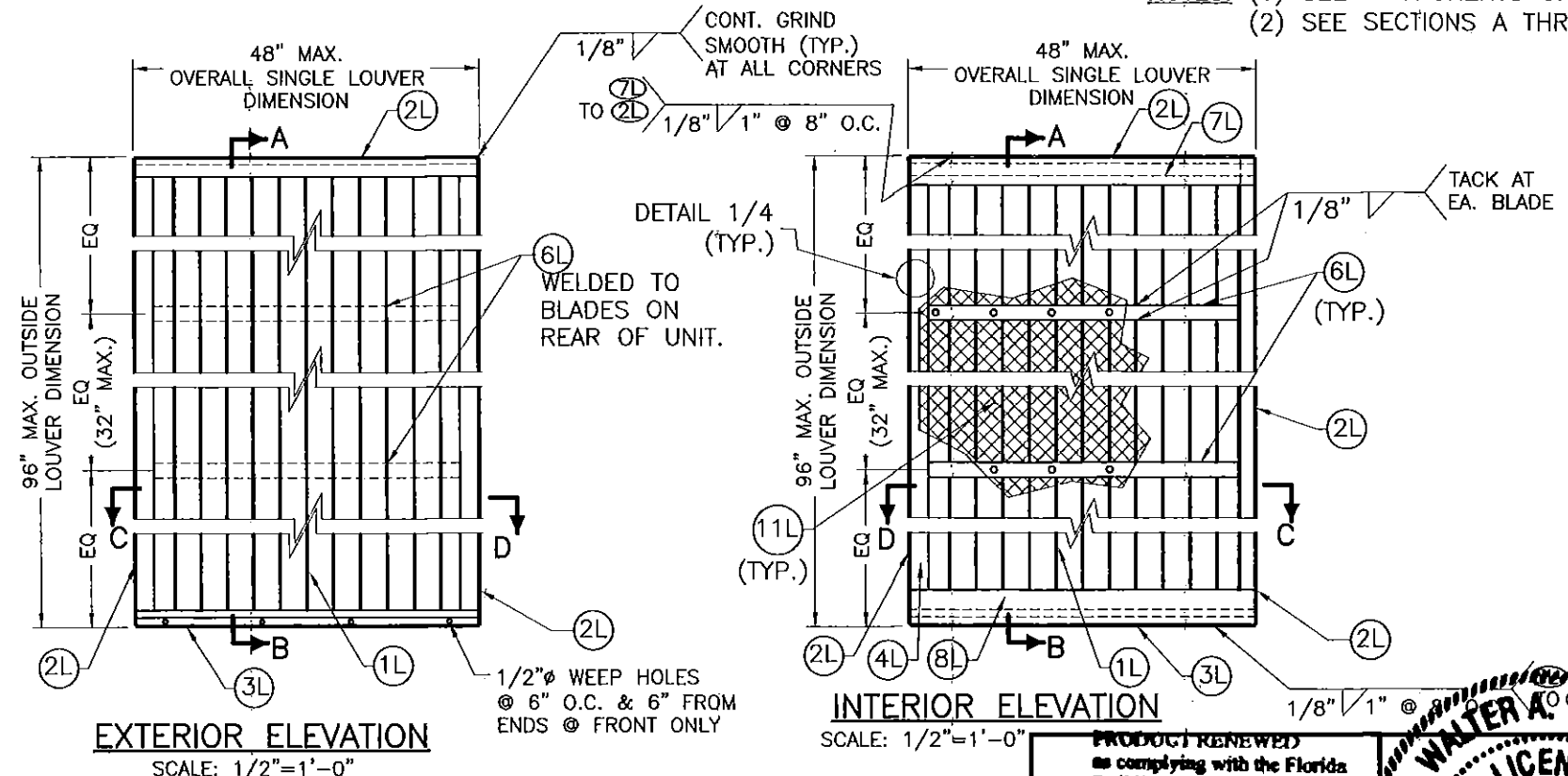
FLORIDA BUILDING CODE (High Velocity Hurricane Zone)
CARNES MODEL FRVB/FSVB.
UNITED ENERTECH, INC. WV-10D ALUMINUM LOUVER W/ OR W/O CD-151 DAMPER ASSEMBLY
DRAWN BY: F.R.L.
DATE: 07/15/15
15-246
DRAWING No
SHEET 2 OF 7

REV. No	DESCRIPTION	DATE	REV. No	DESCRIPTION	DATE
1	OLD 10-040	07/15/15	3		
2			4		



MULTIPLE W-10D LOUVER UNITS

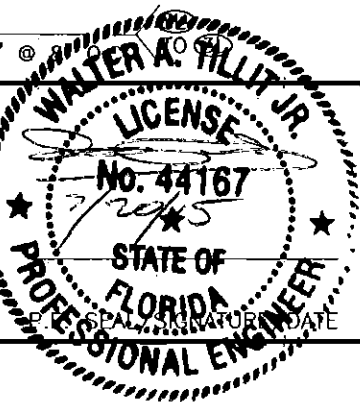
NOTES: (1) SEE COMPONENTS ON SHEET 2.
(2) SEE SECTIONS A THRU D ON SHEET 4.



SINGLE W-10D LOUVER UNITS

NOTES: (1) SEE COMPONENTS ON SHEET 2.
(2) SEE SECTIONS A THRU D ON SHEET 4.

PRODUCT RENEWED
as complying with the Florida
Building Code
Acceptance No 15-0720-07
Expiration Date 03/12/2020
By *[Signature]*
Miami Dade Product Control
MIAMI-DADE COUNTY

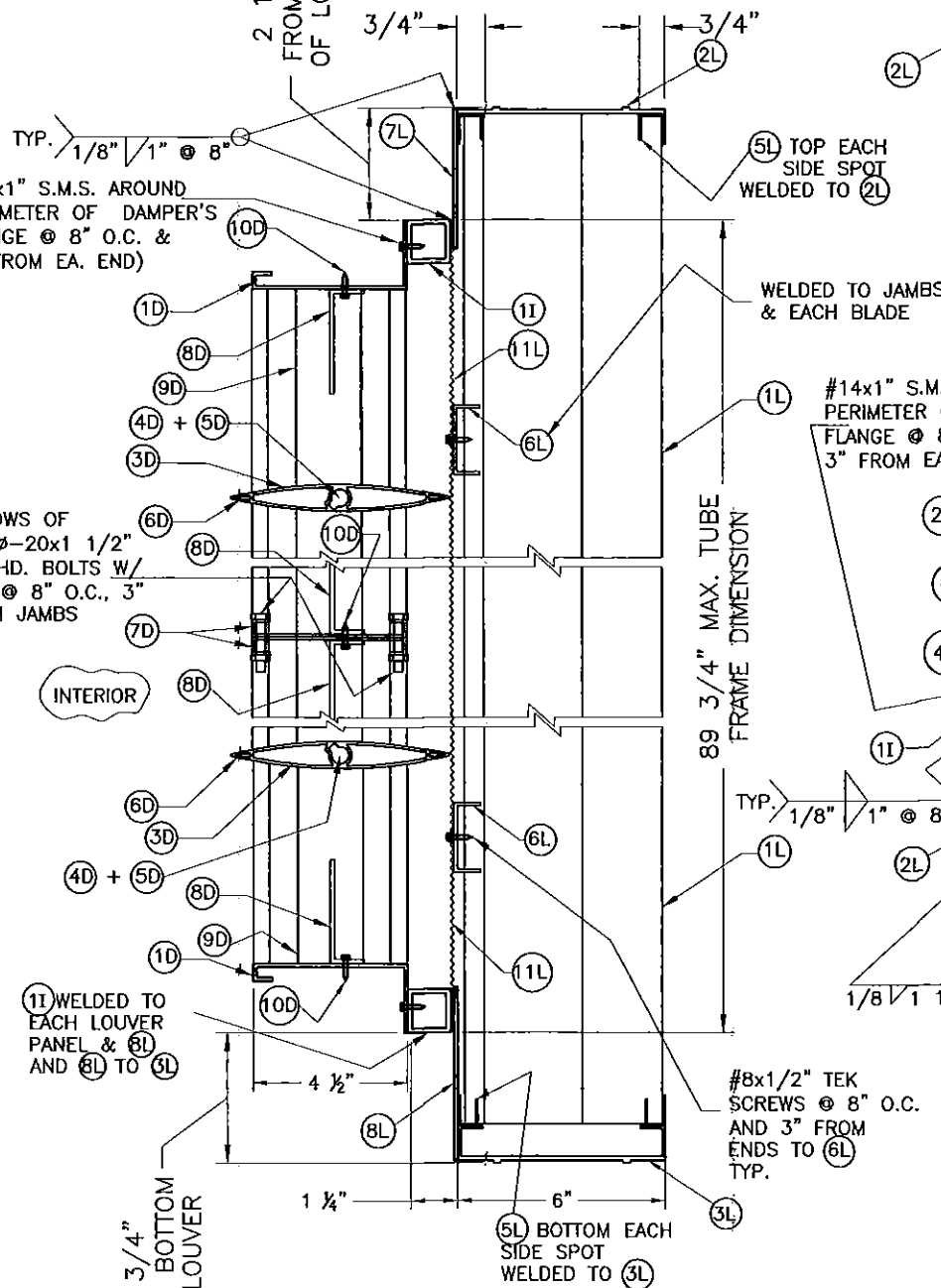


© 2015 TILTECO, INC
TILTECO INC.
TILLIT TESTING & ENGINEERING COMPANY
6355 N.W. 36th St., 5th Fl., 305, VIRGINIA GARDENS, FL 33166
Phone: (305)871-1530 Fax: (305)871-1531
EB-0006719
WALTER A. TILLIT JR. P.E.
FLORIDA Lic. # 44167

FLORIDA BUILDING CODE (High Velocity Hurricane Zone)					
CARNES MODEL FRVB/FSVB.					
UNITED ENERTECH, INC. W-10-D ALUMINUM LOUVER W/ OR W/O CD-151 DAMPER ASSEMBLY					
DRAWN BY: F.R.L.					
CARNES COMPANY, INC					
448 S. MAIN STREET VERONA, WI 53593 PH: (608) 845-6411 FAX: (608) 845-6470					
DATE: 07/15/15					
DRAWING No: 15-246					
REV. No	DESCRIPTION	DATE	REV. No	DESCRIPTION	DATE
1	OLD 10-040	07/15/15	3		
2			4		
SHEET 3 OF 7					

FIRST & LAST BLADE WELDED TO EACH JAMB W/ (7) 1/16x1/2 LONG WELD AT 9" FROM ENDS AND 13" O.C.

SECTION A'



#14x1" S.M.S. AROUND PERIMETER OF DAMPER'S FLANGE @ 8" O.C. & 3" FROM EA. END)

2 ROWS OF 1/4"Ø-20x1 1/2" HX. HD. BOLTS W/ NUT @ 8" O.C., 3" FROM JAMBS

WELDED TO JAMBS & EACH BLADE

#14x1" S.M.S. AROUND PERIMETER OF DAMPER'S FLANGE @ 8" O.C. & 3" FROM EA. END)

89 3/4" MAX. TUBE FRAME DIMENSION

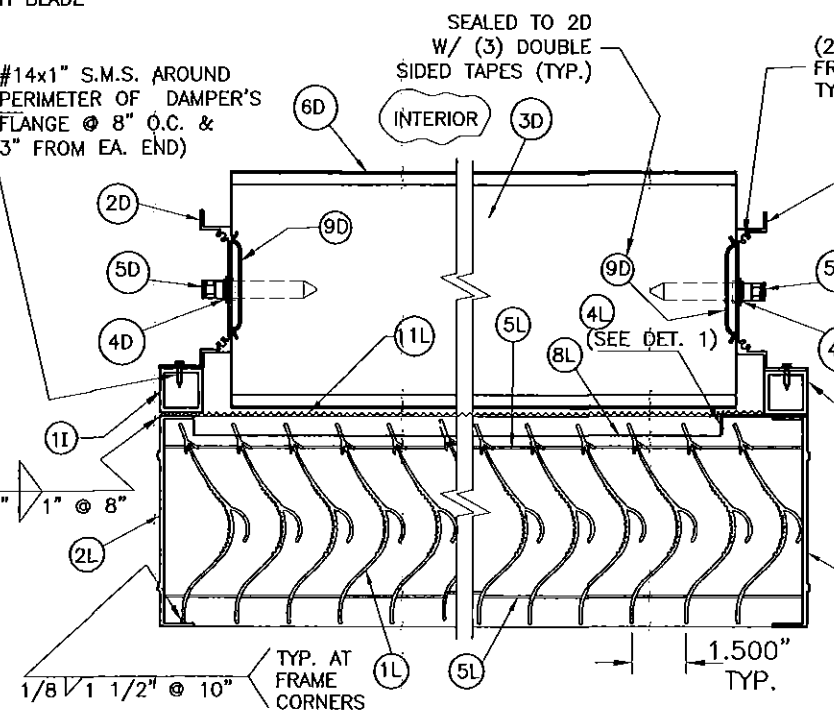
#8x1/2" TEK SCREWS @ 8" O.C. AND 3" FROM ENDS TO (6L) TYP.

SECTION B'

(SEE ELEVATIONS ON SHEETS 3 & 5)

SECTION C

SCALE: 3/16"=1"

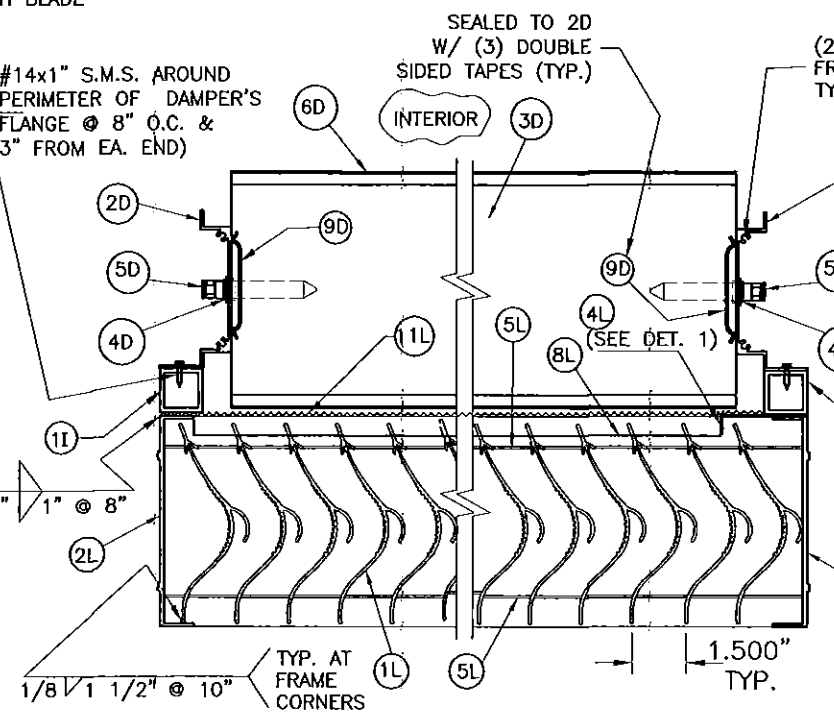


SECTION C'-C'

SCALE: 3/16"=1"

SECTION D

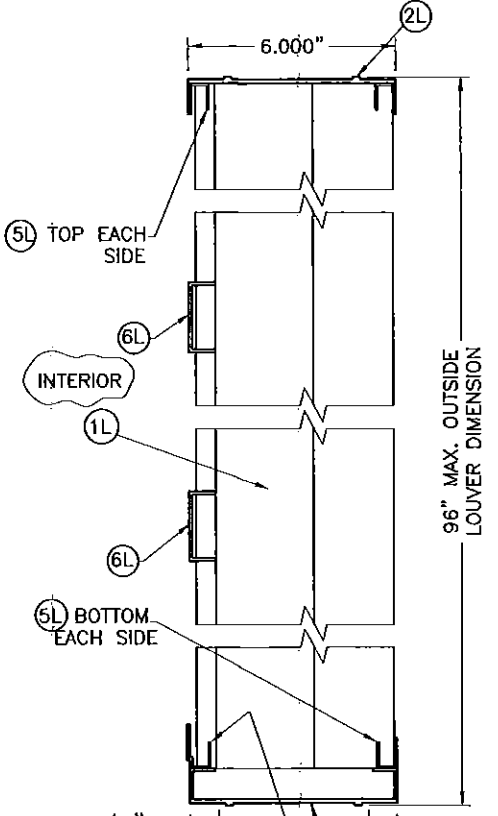
SCALE: 3/16"=1"



SECTION D'-D'

SCALE: 3/16"=1"

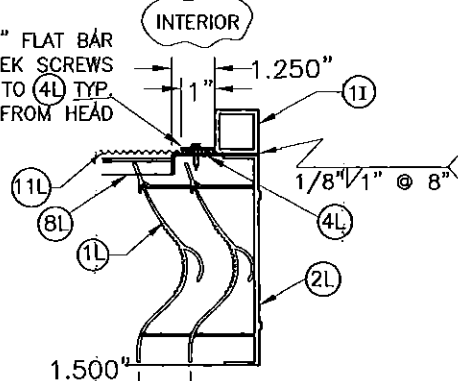
SECTION A



SECTION B

(SEE ELEVATIONS ON SHEET 3)

1"X 0.050" FLAT BAR W/#8x1/2" TEK SCREWS @ 8" O.C. TO (4L) TYP. AND @ 1" FROM HEAD



DETAIL 1 (PLAN)
1ST LOUVER BLANK-OFF LOCATION

N.T.S.

ALL JOINTS SEALED W/ CONT. SILICONE SEALANT # WLO9310 BY WHITE LIGHTING PRODUCTS

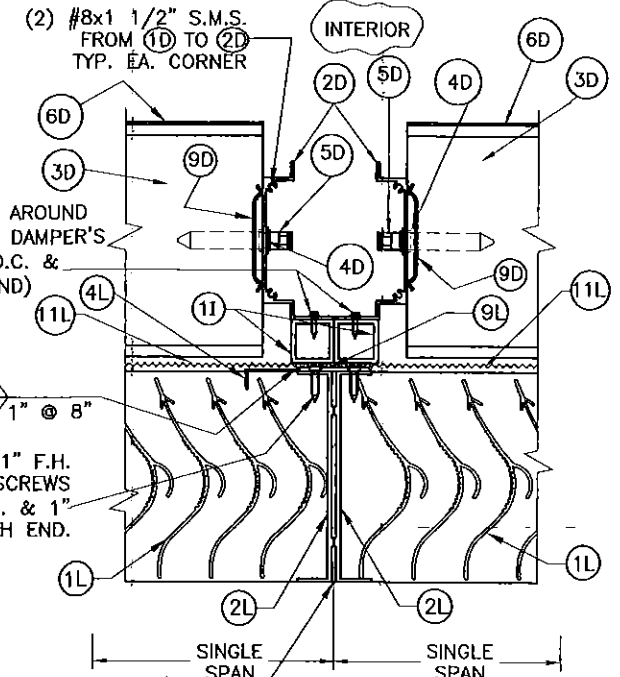
(2) #8x1 1/2" S.M.S. FROM (1D) TO (2D) TYP. EA. CORNER

#14x1" S.M.S. AROUND PERIMETER OF DAMPER'S FLANGE @ 8" O.C. & 3" FROM EA. END)

(2) #14 X 1" F.H. S.D.S. TEK SCREWS @ 11" O.C. & 1" FROM EACH END.

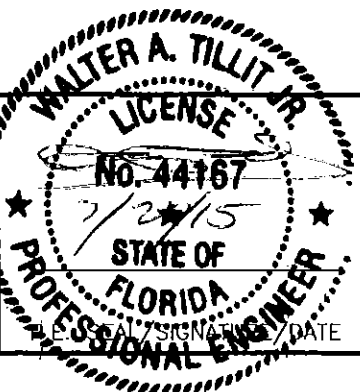
ALL JOINTS SEALED W/ CONT. SILICONE SEALANT # WLO9310 BY WHITE LIGHTING PRODUCTS

SECTION E-E
MULLION SPLICE



SECTION E'-E'
MULLION SPLICE

PRODUCT RENEWED as complying with the Florida Building Code
Acceptance No 15-0720.07
Expiration Date 07/15/2020
By *[Signature]*
Miami-Dade Product Control
MIAMI-DADE COUNTY



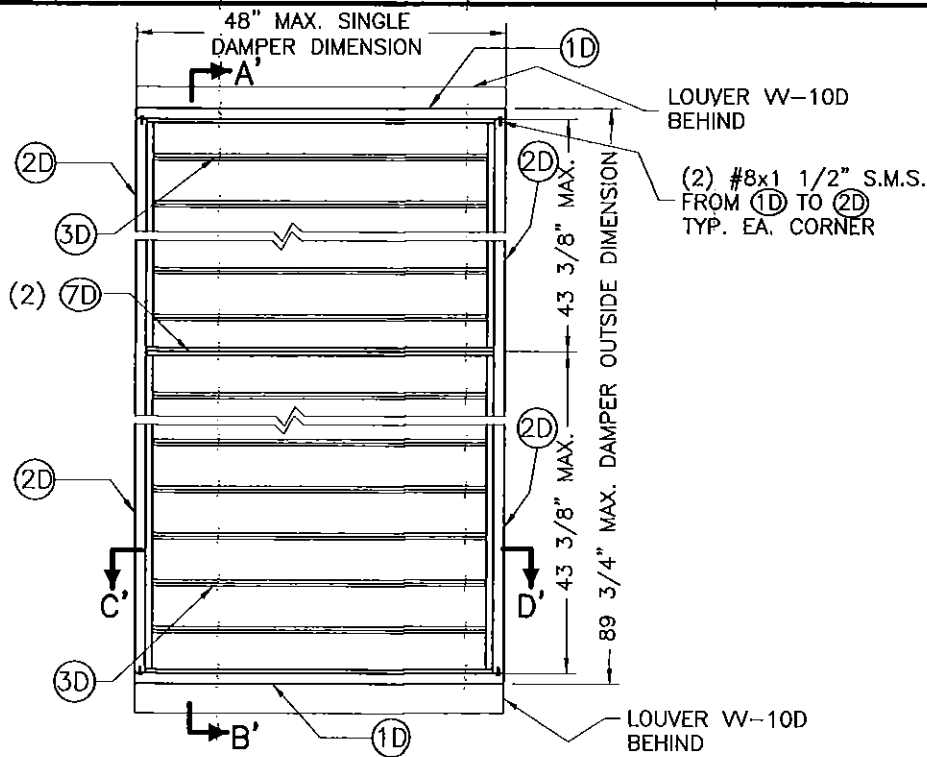
© 2015 TILTECO, INC.
TILTECO INC.
TILLIT TESTING & ENGINEERING COMPANY
6355 N.W. 36th St., Ste. 305, VIRGINIA GARDENS, FL 33166
Phone : (305)871-1530 , Fax : (305)871-1531
EB-0006719
WALTER A. TILLIT Jr. P.E.
FLORIDA Lic. # 44167

FLORIDA BUILDING CODE (High Velocity Hurricane Zone)

CARNES MODEL FRVB/FSVB.
UNITED ENERTECH, INC. W-10-D ALUMINUM LOUVER W/ OR W/O CD-151 DAMPER ASSEMBLY
CARNES COMPANY, INC
448 S. MAIN STREET
VERONA, WI 53593
PH: (608) 845-6411 FAX: (608) 845-6470

DRAWN BY: F.R.L.
07/15/15 DATE
15-246 DRAWING No
SHEET 4 OF 7

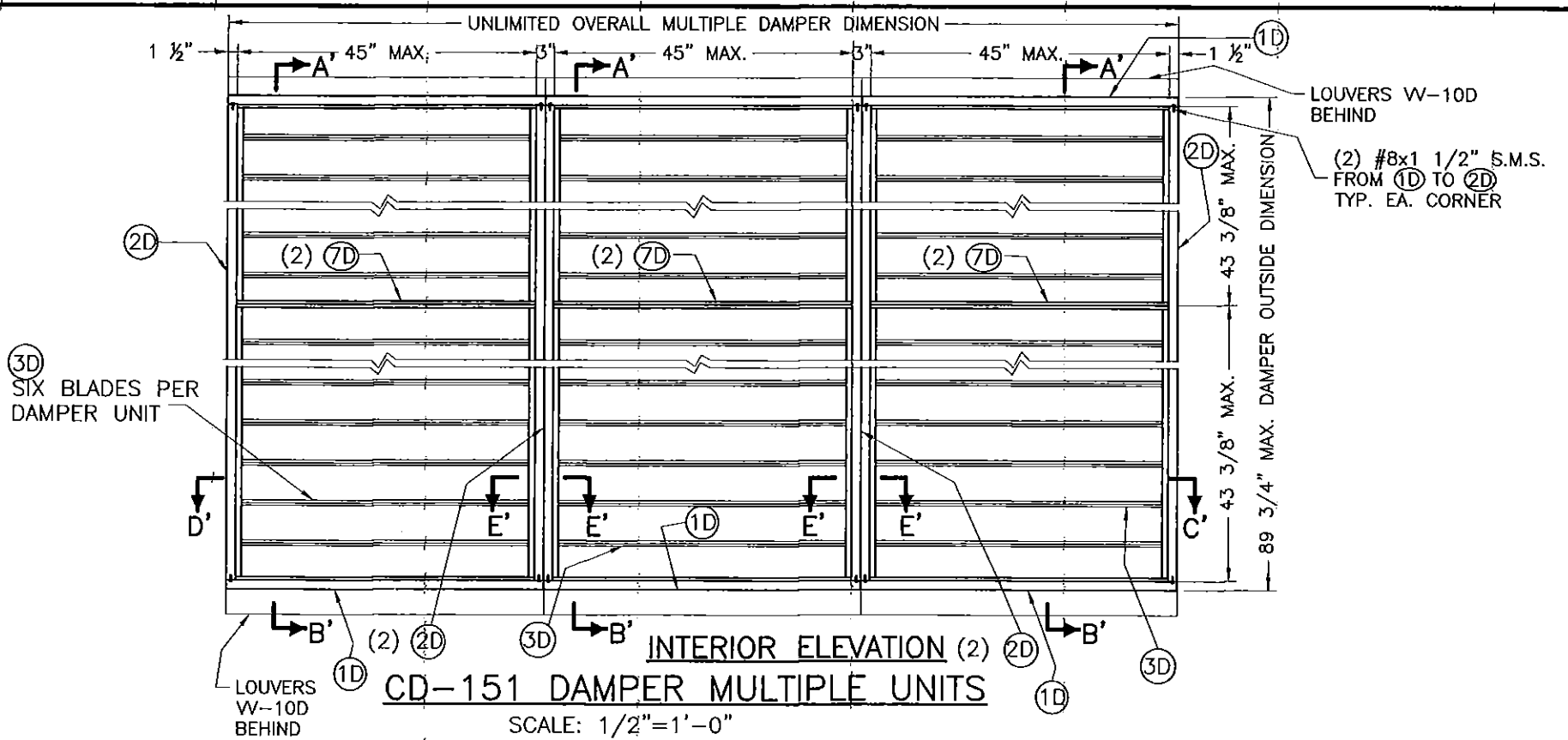
REV. No	DESCRIPTION	DATE	REV. No	DESCRIPTION	DATE
1	OLD 10-04D	07/15/15	3		
2			4		



**INTERIOR ELEVATION
CD-151 DAMPER SINGLE UNITS**

SCALE: 1/2"=1'-0"

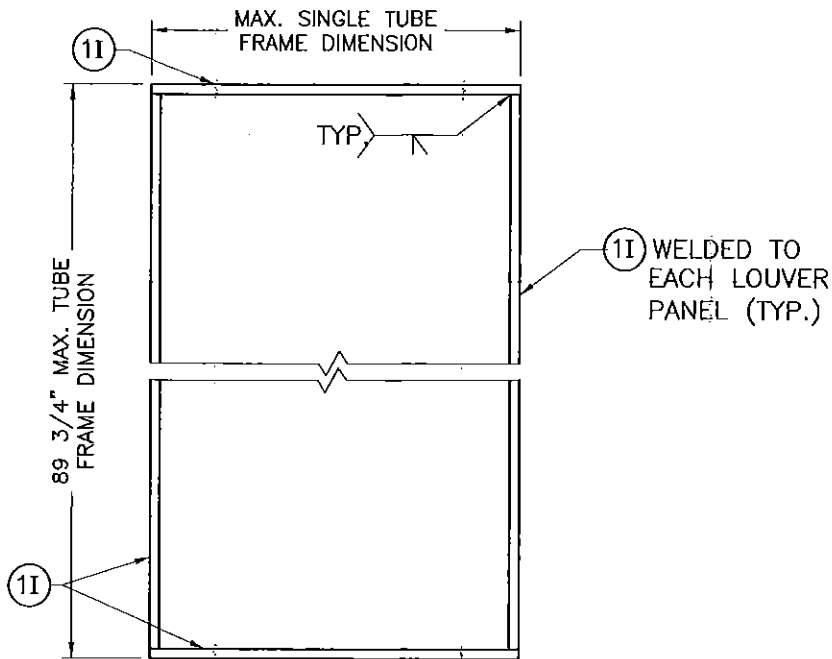
- (1) SEE COMPONENTS ON SHEET 2.
- (2) SEE SECTIONS A' THRU D' ON SHEET 4.



**INTERIOR ELEVATION (2)
CD-151 DAMPER MULTIPLE UNITS**

SCALE: 1/2"=1'-0"

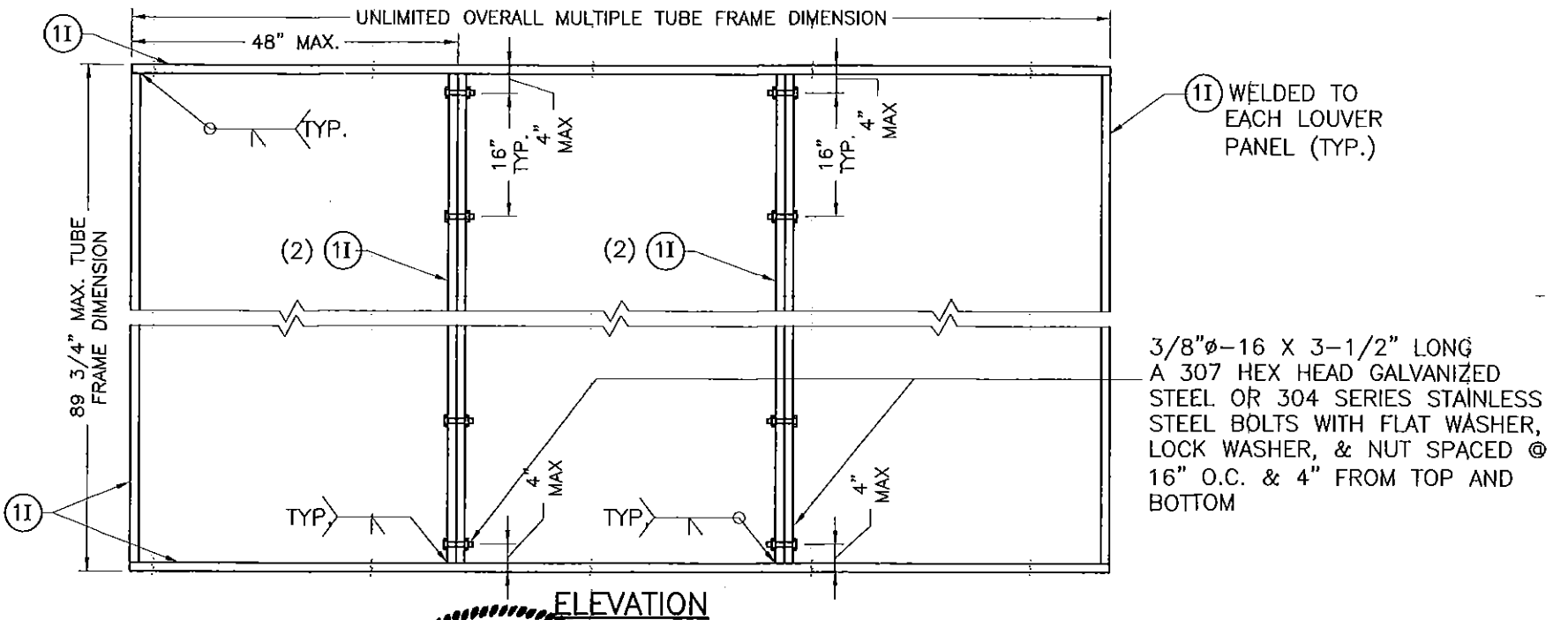
- (1) SEE COMPONENTS ON SHEET 2.
- (2) SEE SECTIONS A' THRU D' ON SHEET 4.



ELEVATION

**INTERMEDIATE TUBE FRAME FOR CD-151
DAMPER ATTACHMENT AT SINGLE UNITS**

SCALE: 1/2"=1'-0"

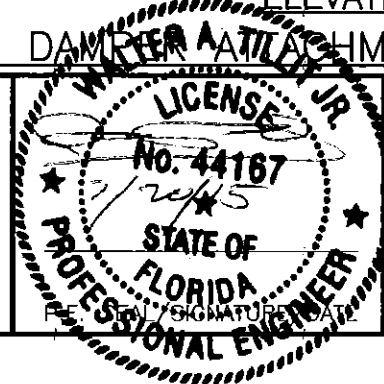


ELEVATION

INTERMEDIATE TUBE FRAME FOR CD-151 DAMPER ATTACHMENT AT MULTIPLE UNITS FLORIDA BUILDING CODE (High Velocity Hurricane Zone)

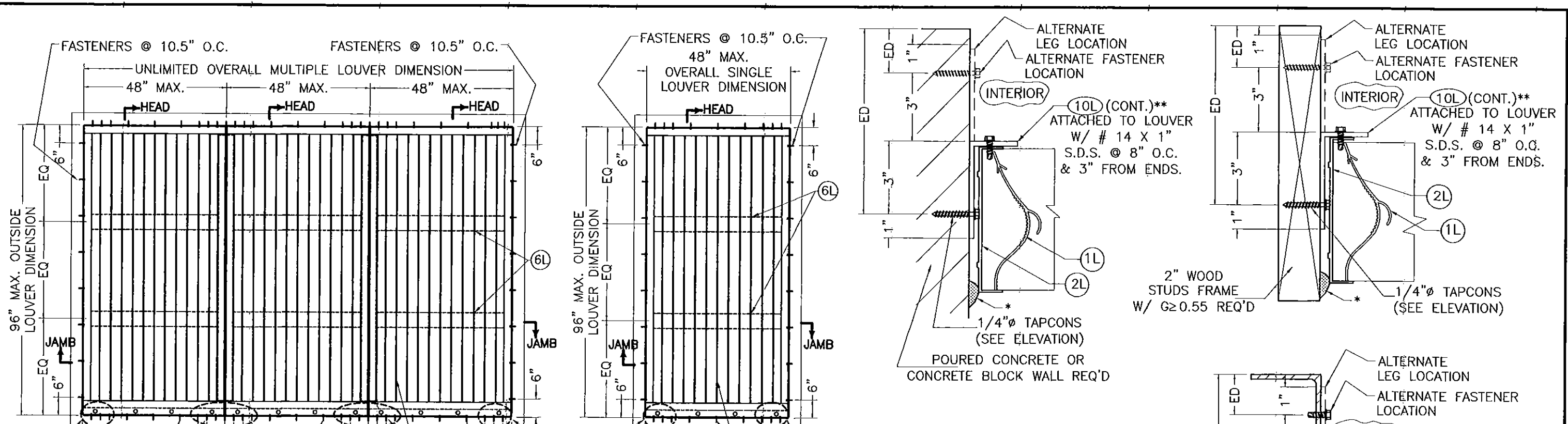
SCALE: 1/2"=1'-0"

PRODUCT RENEWED
as complying with the Florida
Building Code
Acceptance No 15-0220-07
Expiration Date 08/16/2020
By *[Signature]*
Miami Dade Product Control
MIAMI-DADE COUNTY

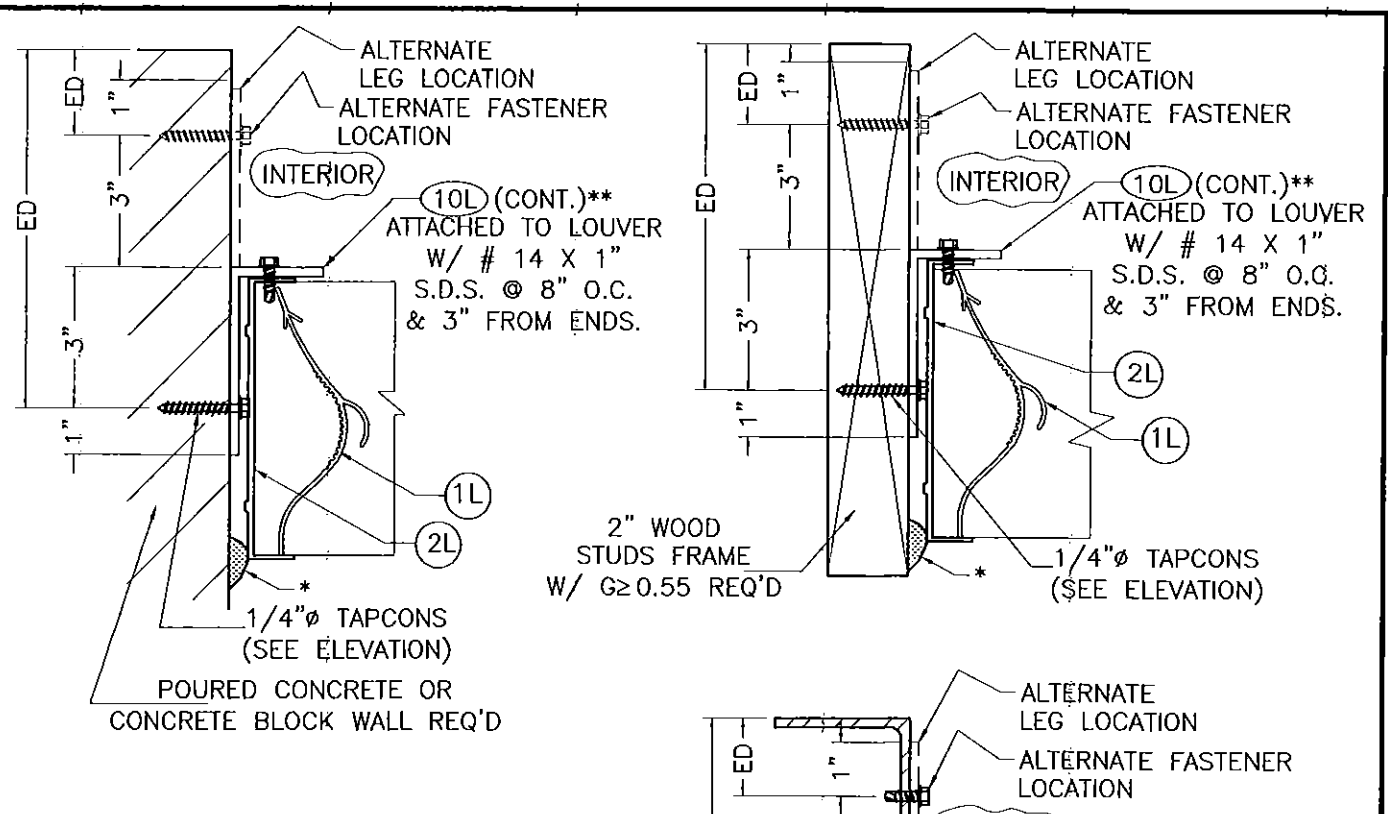


© 2015 TILTECO, INC.
TILTECO INC.
TILLIT TESTING & ENGINEERING COMPANY
6355 N.W. 36th St., St. 305, VIRGINIA GARDENS, FL 33166
Phone : (305)871-1530 . Fax : (305)871-1531
EB-0006719
WALTER A. TILLIT JR. P.E.
FLORIDA Lic. # 44167

CARNES MODEL FRVB/FSVB.		DRAWN BY: F.R.L.	
UNITED ENERTECH, INC. VV-10-D ALUMINUM LOUVER W/ OR W/O CD-151 DAMPER ASSEMBLY		07/15/15 DATE	
CARNES COMPANY, INC 448 S. MAIN STREET VERONA, WI 53593 PH: (608) 845-6411 FAX: (608) 845-6470		15-246 DRAWING No	
REV No	DESCRIPTION	DATE	REV.No
1	OLD 10-040	07/15/15	3
2			4
		SHEET 5 OF 7	

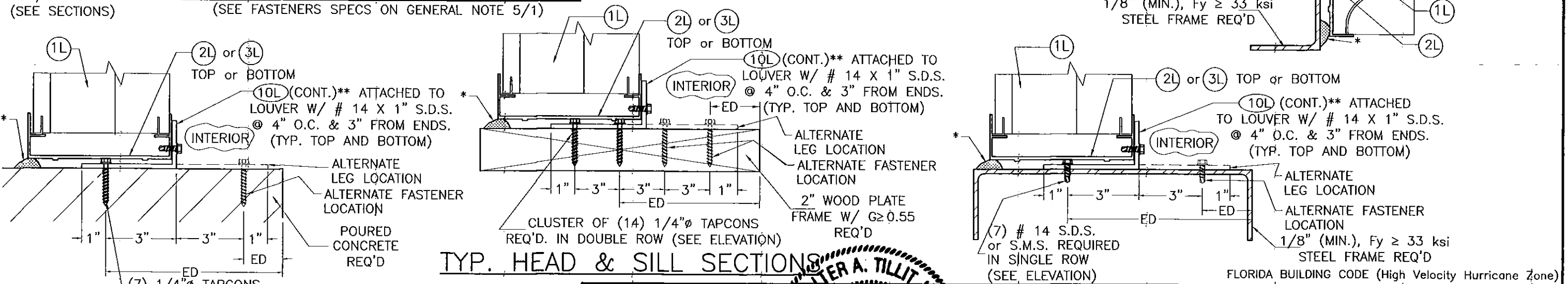


FASTENERS SPACING ELEVATIONS
(SEE FASTENERS SPECS ON GENERAL NOTE 5/1)



TYP. JAMB SECTIONS

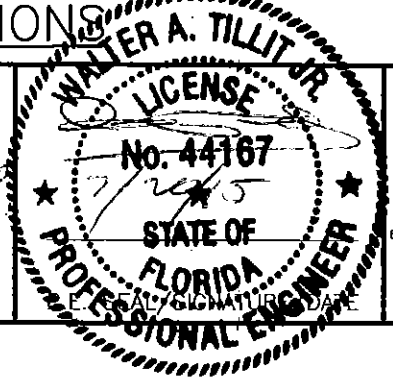
* 1/4" MAX. SHIM SPACE. PROVIDE CONT. SEALANT AT SHIM SPACE.
** SEE GENERAL NOTE 9/1



TYP. HEAD & SILL SECTIONS

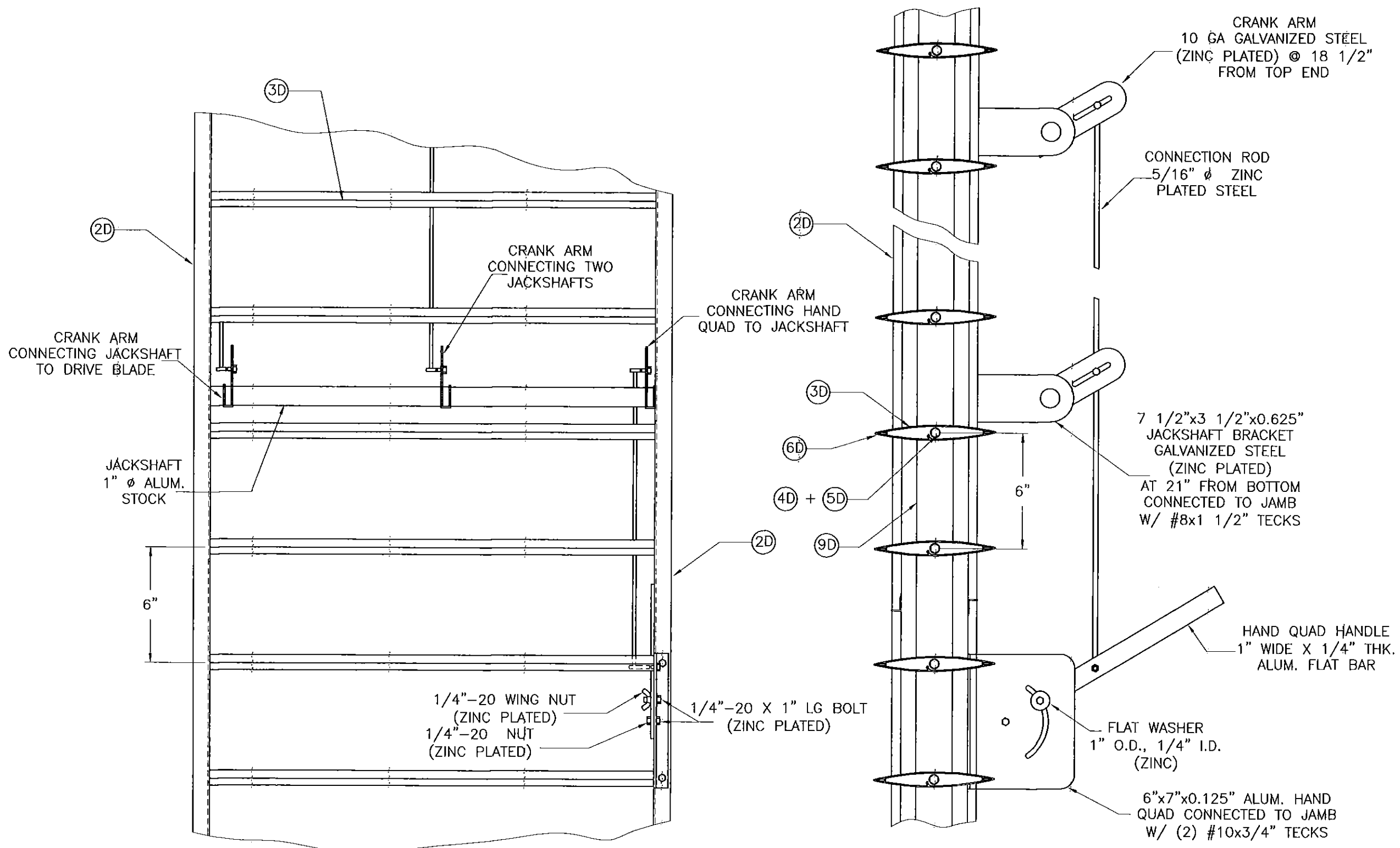
ED= EDGE DISTANCE, SEE GENERAL NOTE 5/1

PRODUCT RENEWED as complying with the Florida Building Code
Acceptance No 15-072207
Expiration Date 08/15/2020
By *[Signature]*
Miami Dade Product Control
MIAMI-DADE COUNTY



© 2015 TILTECO, INC.
TILTECO INC.
TILLIT TESTING & ENGINEERING COMPANY
6355 N.W. 36th St., Ste. 305, VIRGINIA GARDENS, FL 33166
Phone: (305)871-1530 Fax: (305)871-1531
EB-0006719
WALTER A. TILLIT Jr., P.E.
FLORIDA Lic. # 44167

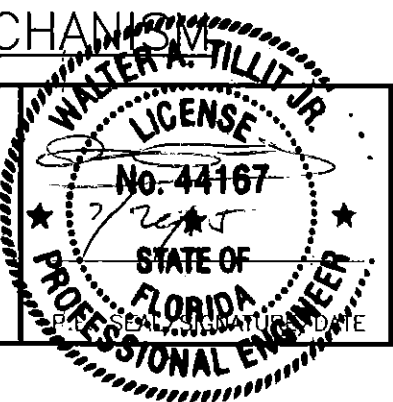
CARNES MODEL FRVB/FSVB. UNITED ENERTECH, INC. W/ 10-D ALUMINUM LOUVER W/ OR W/O CO-151 DAMPER ASSEMBLY			DRAWN BY: F.R.L.		
CARNES COMPANY, INC 448 S. MAIN STREET VERONA, WI 53593 PH: (608) 845-6411 FAX: (608) 845-6470			07/15/15 DATE		
15-246 DRAWING No			SHEET 6 OF 7		
REV. No	DESCRIPTION	DATE	REV. No	DESCRIPTION	DATE
1	OLD 10-040	07/15/15	3		
2			4		



HAND QUADRANT HANDLE MECHANISM

(SEE GENERAL NOTE 8/1)

PRODUCT RENEWED
 as complying with the Florida
 Building Code
 Acceptance No 15-0720-07
 Expiration Date 08/18/2020
 By *[Signature]*
 Miami Dade Product Control
 MIAMI-DADE COUNTY



© 2015 TILTECO, INC.
TILTECO inc.
 TILLIT TESTING & ENGINEERING COMPANY
 6355 N.W. 36th St., 5th Fl., 305, VIRGINIA GARDENS, FL 33166
 Phone : (305)871-1530 . Fax : (305)871-1531
 EB-0006719
 WALTER A. TILLIT Jr. P.E.
 FLORIDA Lic. # 44167

FLORIDA BUILDING CODE (High Velocity Hurricane Zone)

CARNES MODEL FRVB/FSVB.						DRAWN BY: F.R.L.
UNITED ENERTECH, INC. WV-10-D ALUMINUM LOUVER W/ OR W/O CD-151 DAMPER ASSEMBLY						07/15/15 DATE
CARNES COMPANY, INC						15-246 DRAWING No
448 S. MAIN STREET VERONA, WI 53593 PH: (608) 845-6411 FAX: (608) 845-6470						SHEET 7 OF 7
REV. No	DESCRIPTION	DATE	REV. No	DESCRIPTION	DATE	
1	OLD 10-040	07/15/15	3			
2			4			