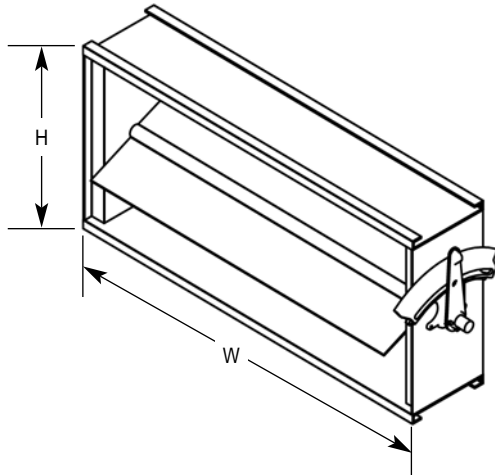


## Balancing Damper

Model: FAEA



### Model FAEA

#### ▼ Standard Specifications

**Frame:** .081" aluminum, 4-1/2" deep

**Blades:** .125" aluminum

**Bearing:** nylon 6/6

**Hand Quadrant:** 1/2" cast zinc

**Maximum Velocity:** 2000 fpm

#### Variations

- 2" Stand Off Quadrant
- All Stainless Steel including Quadrant

Model FAEA is an ideal manual balancing damper for duct up to 36" x 12"



Undersized  
approx. 1/4"