

#### STANDARD FEATURES

- Durable, 20 ga. galvanized construction
- 100 to 1800 CFM
- Access doors (2)
- 1" rigid duct board insulation
- Indoor applications only
- ODP Electrically Commutated (EC) Motors
  - 3-core configuration uses *DecStar ECM*
- MERV8 filters
- Control input terminal strip
  - Unit ON/OFF and filter switch
- Door interlocking disconnect
- UL listed
- AHRI 1060 certified

#### AVAILABLE OPTIONS

- High efficiency sensible or enthalpy cores
- 1, 2 & 3 core configurations
- Horizontal or horizontal/vertical (top) duct connections
- Multiple defrost options:
  - Exhaust only
  - Exhaust recirculation
  - Electric pre-heat (mounted in inlet hood)
- Supply and exhaust dampers with motors
  - Single phase power; 120/208/240
- Single side access
- MERV13 filters

#### DUCT ARRANGEMENTS

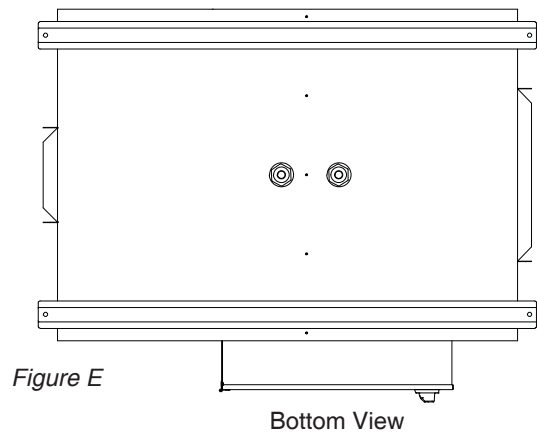
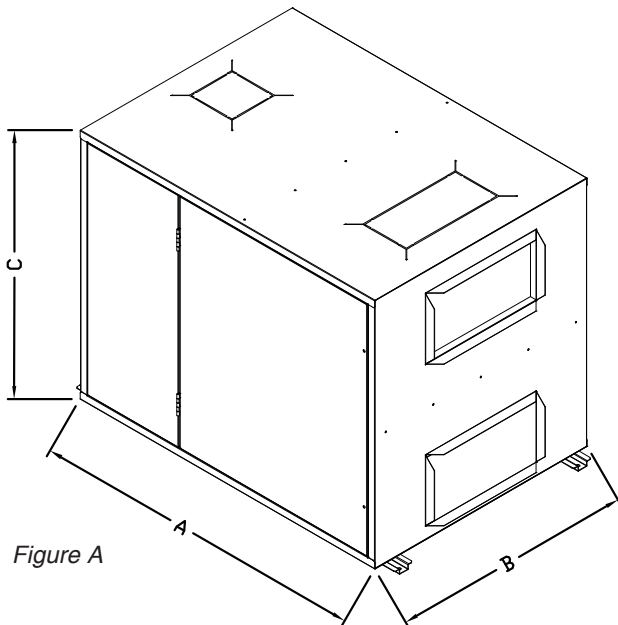
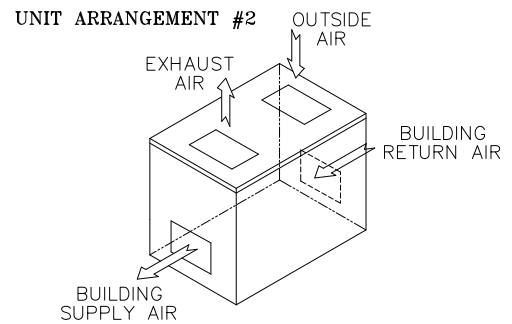
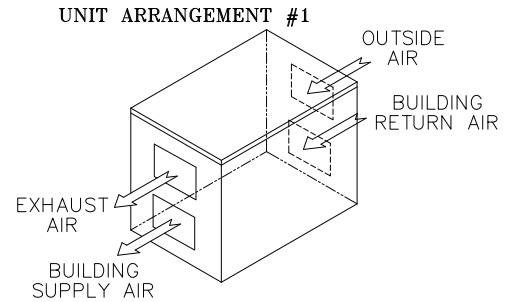


Figure A Dimensions						
Size	CFM	# of Cores	A	B	C	Weight
11	100-600	1	46	18.625	34.625	300
12	200-1200	2	48	34.75	38.625	400
13	300-1800	3	57	50.625	42.625	500

Figure B

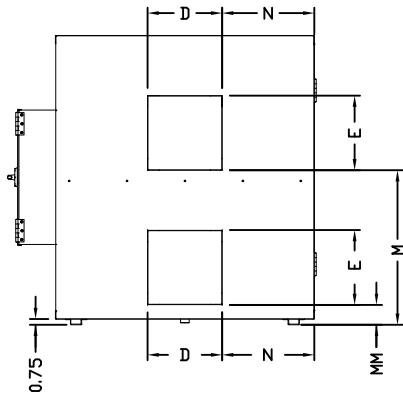


Figure B Dimensions

Size	D	E	M	N	MM
11	8.5	9.875	18.75	5	2.625
12	9.875	9.875	20.75	12.375	2.625
13	14.75	12.125	22.75	17.875	2.625

Figure C

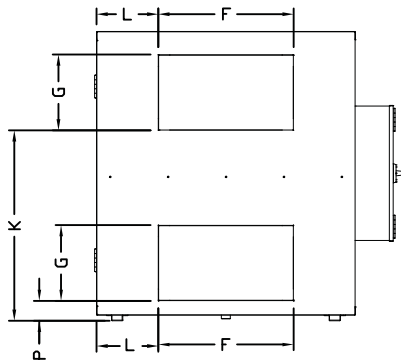


Figure C Dimensions

Size	F	G	K	L	P
11	8.5	9.875	21.625	5	2.625
12	18	10	25.5	8.25	2.625
13	20	14	25.5	15.25	2.625

Figure D  
Top View

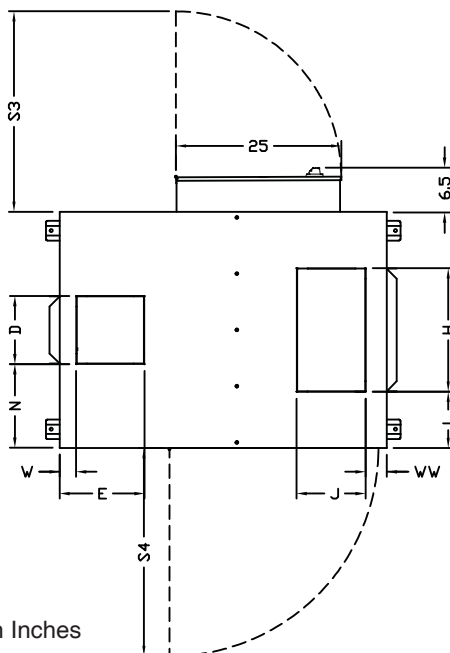


Figure D Dimensions

Size	W	WW	S3	S4
11	2.5	3.125	32	32
12	2.5	3.125	32	32
13	2.5	3.125	32	36

Note: All sizes in Inches