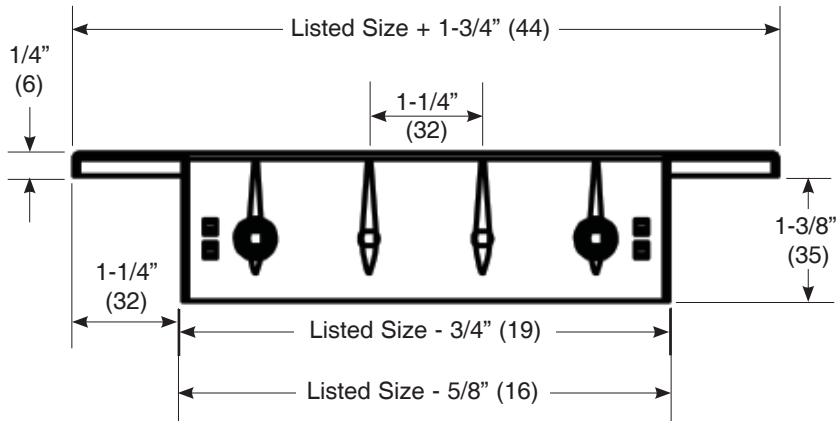
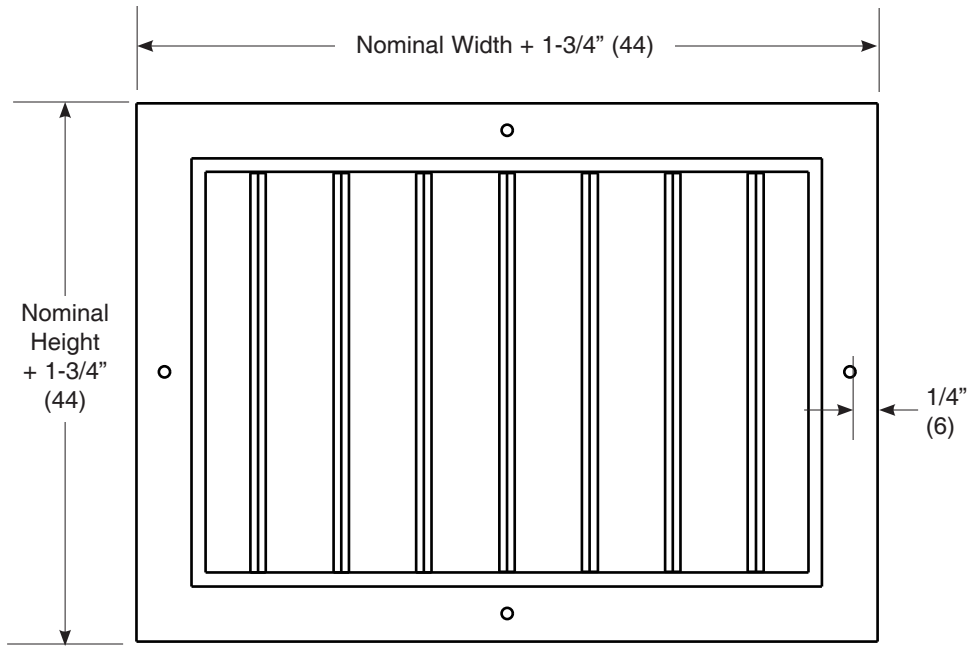


IP [English] Dimensions
SI (Metric) In Parentheses

CARNES COMPANY 448 S. Main St., P. O. Box 930040, Verona, WI 53593-0040 Phone: (608)845-6411 Fax: (608)845-6504 www.carnes.com



DIMENSIONS LISTED IN INCHES (Millimeters)			
Model	Blade Alignment	Panel Size	
		Minimum	Maximum
RBFAH	Horizontal	8 x 4 (203 x 102)	48 x 48 (1219 x 1219)
RBFV	Vertical	8 x 4 (203 x 102)	48 x 48 (1219 x 1219)

Notes:

1. Construction is all extruded aluminum.
2. Blades are individually adjustable.
3. Blades can be aligned vertically or horizontally. The unit shown here has the blades aligned vertically.
4. The standard finish is white. Mill finish is available upon request.
5. Metric dimensions shown are in millimeters.