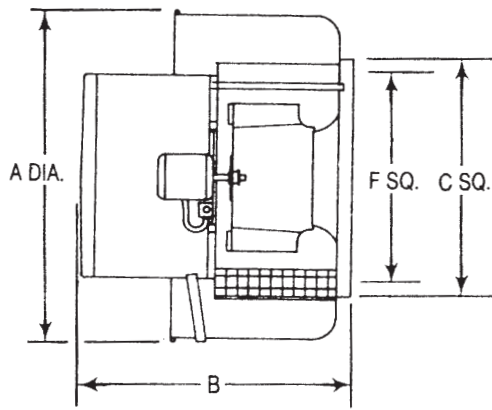
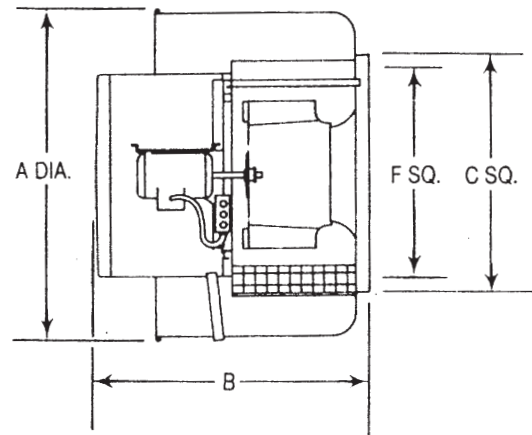


Imperial [IP] Dimensions
Metric (SI) in Parentheses

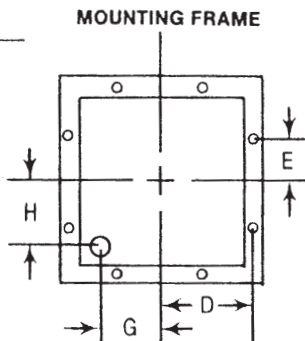
CARNES COMPANY 448 S. Main St., P. O. Box 930040, Verona, WI 53593-0040 Phone: (608)845-6411 Fax: (608)845-6504 www.carnes.com



VWDK 06 - 08



VWDK 10 - 18



STANDARD FEATURES

- Spun and shaped aluminum housing.
- Integral motor overload protection on all standard single phase motors.
- Disconnect switch on all motors except explosion proof.
- Ventilated motor compartment with motor out of airstream.
- Non-overloading, backwardly inclined wheel.
- Isolated motor wheel-drive assembly.
- Spark resistant construction.
- Mounting frame.

NOTE: Drawing is to locate dimensions. Refer to catalog for actual model configuration

MATERIAL AND THICKNESS IN INCHES (Millimeters)

Unit Size	Motor Cover		Outer Shroud (Alum.)	Curb Cap (Alum.)	Std. Wheel	Diffuser (Galvanized Steel)	Approx. Wt. Less Motor Lbs. (Kg.)
	Lid (Alum.)	Tube (Alum.)					
06	.063 (1.6)	.040 (1.0)	.080 (2.0)	.050 (1.3)	Aluminum	22 ga. (.8)	45 (20)
08	.063 (1.6)	.040 (1.0)	.080 (2.0)	.050 (1.3)	Aluminum	22 ga. (.8)	45 (20)
10	.063 (1.6)	.040 (1.0)	.080 (2.0)	.063 (1.3)	Aluminum	22 ga. (.8)	50 (23)
12	.063 (1.6)	.040 (1.0)	.080 (2.0)	.063 (1.3)	Aluminum	22 ga. (.8)	50 (23)
15	.063 (1.6)	.040 (1.0)	.080 (2.0)	.063 (1.3)	Aluminum	20 ga. (.9)	75 (34)
18	.063 (1.6)	.040 (1.0)	.080 (2.0)	.063 (1.3)	Aluminum	18 ga. (1.2)	95 (43)

DIMENSIONS IN INCHES (Millimeters)

Unit Size	Unit Dia. A	Unit Depth B		Wall Mounting Cap C	Mounting Frame 1-1/2 (38) x 1-1/2 (38) Angle			Wall Opening Sq. F	Damper Size	Conduit Location	
		Standard B	Extended B		OD Sq.	D	E			G	H
06	25-5/8 (651)	23-1/4 (591)	23-1/4 (591)	15-1/2 (394)	15-3/8 (391)	6-15/16 (176)	4-11/16 (119)	12 (305)	12 (305)	3-3/4 (95)	5 (127)
08	25-3/4 (654)	24-5/8 (625)	24-5/8 (625)	15-1/2 (394)	15-3/8 (391)	6-15/16 (176)	4-11/16 (119)	12 (305)	12 (305)	3-3/4 (95)	5 (127)
10	27-5/8 (702)	25-1/4 (641)	25-1/4 (641)	17-5/8 (448)	17-1/2 (445)	8 (203)	5-3/4 (146)	14 (355)	14 (355)	5-3/8 (136)	5-3/8 (136)
12	27-3/4 (705)	26-7/8 (683)	26-7/8 (683)	17-5/8 (448)	17-1/2 (445)	8 (203)	5-3/4 (146)	14 (355)	14 (355)	5-3/8 (136)	5-3/8 (136)
15	32-3/4 (832)	29-7/8 (759)	34-5/8 (759)	20-1/2 (521)	20-3/8 (518)	9-7/16 (240)	7-3/16 (183)	17 (432)	17 (432)	6-7/8 (175)	5-7/8 (150)
18	38-3/4 (984)	31-1/8 (791)	35-7/8 (791)	25 (635)	24-7/8 (632)	11-11/16 (297)	7-7/16 (297)	22 (559)	22 (559)	9-5/16 (237)	7-11/16 (195)