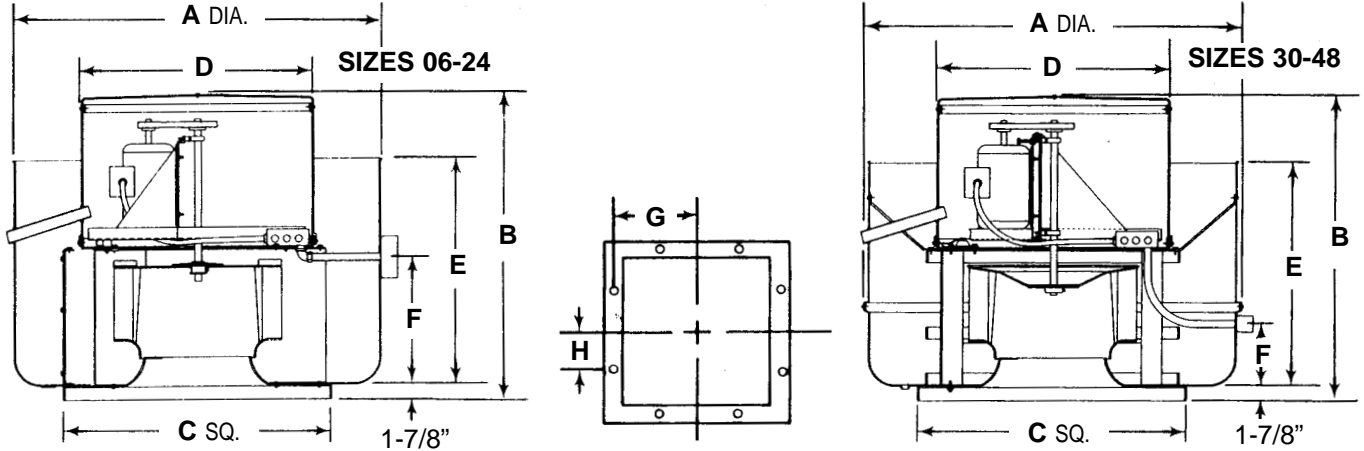


Imperial [IP] Dimensions  
Metric (SI) on Reverse

CARNES COMPANY, 448 S. Main St., P. O. Box 930040, Verona, WI 53593-0040 Phone (608) 845.6411 Fax: (608) 845.6470 carnes@carnes.com



STANDARD DIMENSIONS LISTED IN INCHES											MOUNTING FRAME			Wall Opening Sq.
Size	A	B Standard	B Extended	C	D	E	F	Roof Opening	Curb O.D. Sq.	Unit Wt. Lbs.	O. D. Sq.	G	H	
06	25-5/8	23	27-3/4	15-1/2	20	14-3/8	6-1/2	11	14	40	15-3/8	6-15/16	4-11/16	12
08	25-3/4	24-3/8	28-1/8	15-1/2	20	14-3/8	7-7/8	11	14	40	15-3/8	6-15/16	4-11/16	12
10	27-5/8	25	29-3/4	17-5/8	20	16-5/8	8-1/2	13	16	45	17-1/2	8	5-3/4	14
12	27-3/4	26-5/8	31-3/8	17-5/8	20	16-5/8	10-1/8	13	16	45	17-1/2	8	5-3/4	14
15	32-3/4	29-5/8	34-3/8	20-1/2	24	20-1/4	13	16	19	65	20-3/8	9-7/16	7-3/16	17
18	38-3/4	30-3/4	35-1/2	25	26-1/2	23-7/8	14-1/8	20-1/2	23-1/2	85	24-7/8	11-11/16	7-7/16	22
21	44	35-1/4	39-1/4	28-1/8	30	23-7/8	15-3/8	23-1/2	26-1/2	120	28	3-1/4	9	25
24	48	38-1/2	42-1/2	31-1/8	33	26-3/8	18-5/8	26-1/2	29-1/2	150	31	14-3/4	10-1/2	28
30	56	43-1/2	50-1/4	40-1/8	41	34-5/8	8-1/2	35-1/2	38-1/2	220				
36	65	46-3/8	53-1/8	46-1/8	47	35-1/2	7-3/8	41-1/2	44-1/2	350				
42	73	50-1/8	56-7/8	54-1/8	55	37-3/4	9-1/8	49-1/2	52-1/2	530				
48	81	52-3/8	59-1/8	58-1/8	55	38-7/8	12-3/4	53-1/2	56-1/2	585				

**STANDARDS**

- U. L. 762 Label.
- Disconnect switch with NEMA 3R raintight external wiring connection.
- Insulation is provided in the ventilated motor compartment with the motor out of the airstream.
- VRBK 06-24 can be wall mounted.
- Adjustable pitch V-belt drives.
- Two belts furnished on 5 HP and above.
- Spun and shaped aluminum housing.
- Integral drain opening.
- Integral motor overload protection on all standard single phase motors.
- Non-overloading, backwardly inclined wheel.
- Isolated suspended motor wheel-drive assembly.
- Spark resistant construction thru size 24.
- Polished CRS fan shaft with rust inhibitive coating.

FAN NO. LOCATION	QTY	MODEL/SIZE	CFM	SP	FAN RPM	SONES	MOTOR			ACCESSORIES
							HP	ELECTRICAL	TYPE	

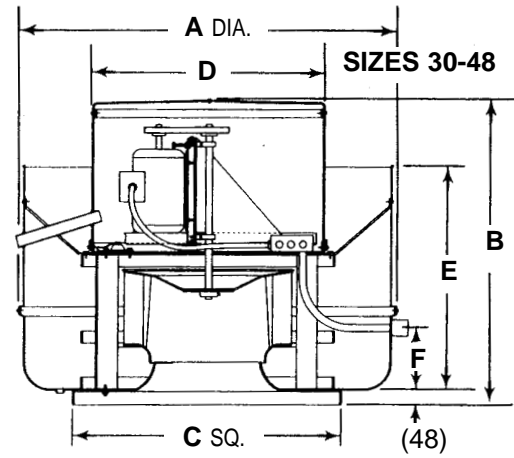
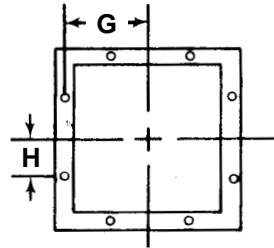
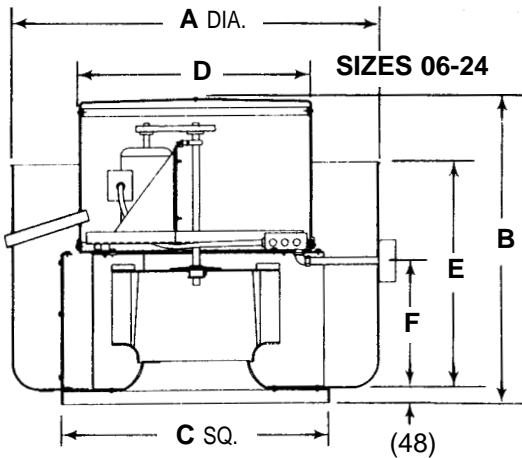
**NOTES:**

PROJECT:	ARCHITECT:
CONTRACTOR:	ENGINEER:
DATE:	SUBMITTED BY:

Metric (SI) Dimensions  
Imperial [IP] on Reverse

## SUBMITTAL SHEET CENTRIFUGAL UPBLAST ROOF EXHAUSTERS FOR COMMERCIAL KITCHEN APPLICATIONS Model VRBK - Belt Driven

CARNES COMPANY, 448 S. Main St., P. O. Box 930040, Verona, WI 53593-0040 Phone (608) 845.6411 Fax: (608) 845.6470 carnes@carnes.com



STANDARD DIMENSIONS LISTED IN MILLIMETERS

Size	A	B		C	D	E	F	Roof Opening	Curb O.D. Sq.	Unit Wt. Kg.	MOUNTING FRAME			Wall Opening Sq.
		Standard	Extended								O. D. Sq.	G	H	
06	651	584	704	393	508	365	165	279	355	18	390	176	119	305
08	651	619	714	393	508	365	200	279	355	18	390	176	119	305
10	701	635	755	447	508	422	216	330	406	20	444	203	146	355
12	704	676	796	447	508	422	257	330	406	20	444	203	146	355
15	831	752	872	520	609	514	330	406	482	29	517	240	182	431
18	984	780	901	636	673	606	359	520	596	39	631	297	189	558
21	1117	895	996	714	761	606	390	596	673	54	711	336	228	635
24	1218	977	1079	790	838	669	473	673	749	68	787	374	266	711
30	1421	1104	1275	1018	1041	879	216	901	977	100				
36	1650	1177	1348	1171	1193	901	187	1053	1129	159				
42	1853	1272	1444	1374	1396	958	232	1256	1332	240				
48	2056	1329	1501	1475	1396	987	324	1358	1434	265				

**STANDARDS**

- U. L. 762 Label.
- Disconnect switch with NEMA 3R raintight external wiring connection.
- Insulation is provided in the ventilated motor compartment with the motor out of the airstream.
- VRBK 06-24 can be wall mounted.
- Adjustable pitch V-belt drives.
- Two belts furnished on 5 HP and above.

- Spun and shaped aluminum housing.
- Integral drain opening.
- Integral motor overload protection on all standard single phase motors.
- Non-overloading, backwardly inclined wheel.
- Isolated suspended motor wheel-drive assembly.
- Spark resistant construction thru size 24.
- Polished CRS fan shaft with rust inhibitive coating.

FAN NO. LOCATION	QTY	MODEL/SIZE	CFM	SP	FAN RPM	SONES	MOTOR			ACCESSORIES
							HP	ELECTRICAL	TYPE	

**NOTES:**

PROJECT: \_\_\_\_\_ ARCHITECT: \_\_\_\_\_

CONTRACTOR: \_\_\_\_\_ DATE: \_\_\_\_\_ SUBMITTED BY: \_\_\_\_\_ ENGINEER: \_\_\_\_\_