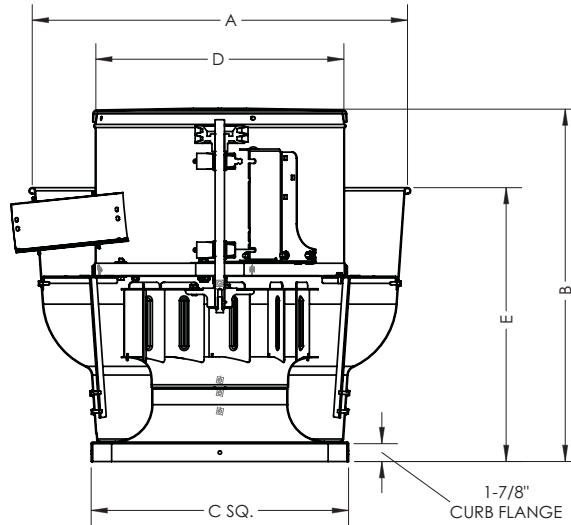


**Imperial [IP] Dimensions
Metric [SI] on Reverse**

CARNES COMPANY 448 S. Main St., P. O. Box 930040, Verona, WI 53593-0040 Phone: (608)845-6411 Fax: (608)845-6504 www.carnes.com



DIMENSIONS (Inches)

Size	A	B	C Curb Cap (Inside)	D	E	Roof Opening	Curb Outside Dimension	Unit Wt. (Lbs.)
06	26-1/4	22-1/4	15-1/2	20	16-1/4	11	15	105
08	26-1/4	23	15-1/2	20	16-1/4	11	15	105
10	28	28	17-1/2	20	19	13	17	110
12	28	28	17-1/2	20	19	13	17	110
15	30	28-1/2	20-1/2	20	22	16	20	115
18	37-1/2	31-1/2	25	24	23	20-1/2	24-1/2	125

STANDARD FEATURES

- UL listed for smoke control systems.
- Tested at the industry standard 500°F for 4 hours.
- Tested at 1000°F for 25 minutes.
- Disconnect is external to the fan and mounted in a weathertight enclosure (NEMA 3R optional).
- Dual belt drives come standard.
- Adjustable drive sheave comes preset to the requested RPM.
- Motor and drive assembly mounted on vibration isolators.
- Wheel is non-overloading, backwardly inclined.
- Motor compartment is insulated from the exhaust air stream.
- Housing is spun and shaped of aluminum - mill finish is standard.
- Drain opening is integral to the spun shroud.
- Polished CRS shaft with rust inhibitive coating applied.

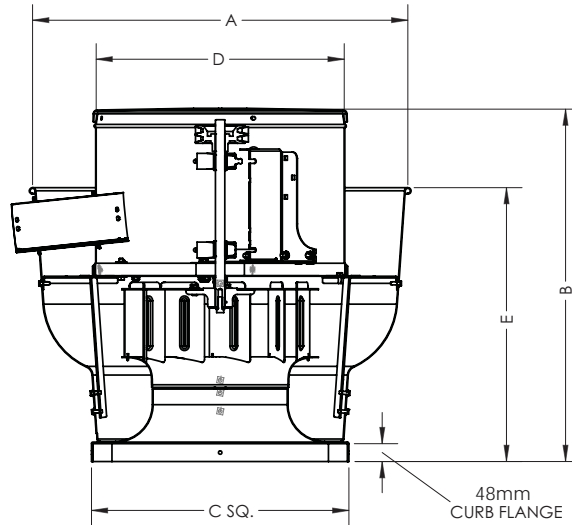
FAN NO. LOCATION	QTY	MODEL/SIZE	CFM	SP	FAN RPM	SONES	MOTOR			ACCESSORIES
							HP	ELECTRICAL	TYPE	

PROJECT:										
PROJECT:							ARCHITECT:			
CONTRACTOR:			DATE:		SUBMITTED BY:			ENGINEER:		

Page _____ of _____

**Metric (SI) Dimensions
Imperial [IP] on Reverse**

CARNES COMPANY 448 S. Main St., P. O. Box 930040, Verona, WI 53593-0040 Phone: (608)845-6411 Fax: (608)845-6504 www.carnes.com



DIMENSIONS (Millimeters)

Size	A	B	C Curb Cap (Inside)	D	E	Roof Opening	Curb Outside Dimension	Unit Wt. (Lbs.)
06	667	565	394	508	413	279	381	48
08	667	584	394	508	413	279	381	48
10	711	711	445	508	483	330	432	50
12	711	711	445	508	483	330	432	50
15	762	724	521	508	559	406	508	52
18	983	800	635	610	584	521	622	57

STANDARD FEATURES

- UL listed for smoke control systems.
- Tested at the industry standard 500°F for 4 hours.
- Tested at 1000°F for 25 minutes.
- Disconnect is external to the fan and mounted in a weathertight enclosure (NEMA 3R optional).
- Dual belt drives come standard.
- Adjustable drive sheave comes preset to the requested RPM.
- Motor and drive assembly mounted on vibration isolators.
- Wheel is non-overloading, backwardly inclined.
- Motor compartment is insulated from the exhaust air stream.
- Housing is spun and shaped of aluminum - mill finish is standard.
- Drain opening is integral to the spun shroud.
- Polished CRS shaft with rust inhibitive coating applied.

FAN NO. LOCATION	QTY	MODEL/SIZE	CFM	SP	FAN RPM	SONES	MOTOR			ACCESSORIES
							HP	ELECTRICAL	TYPE	

PROJECT:								
PROJECT:						ARCHITECT:		
CONTRACTOR:			DATE:		SUBMITTED BY:		ENGINEER:	

Page _____ of _____