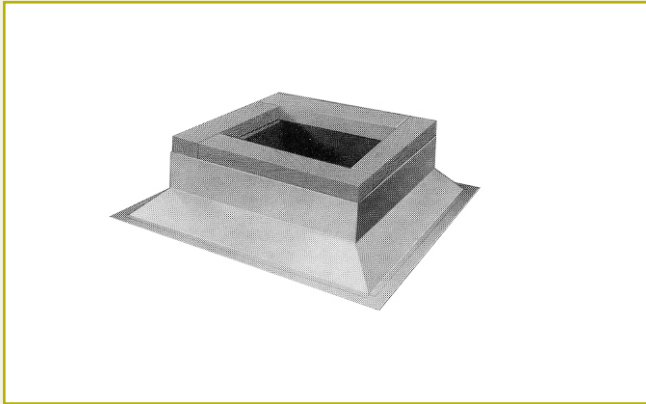


# Roof Curbs for Carnes Penthouses

Model: JCFAAG galvanized, JCFAA aluminum



## Standard Construction

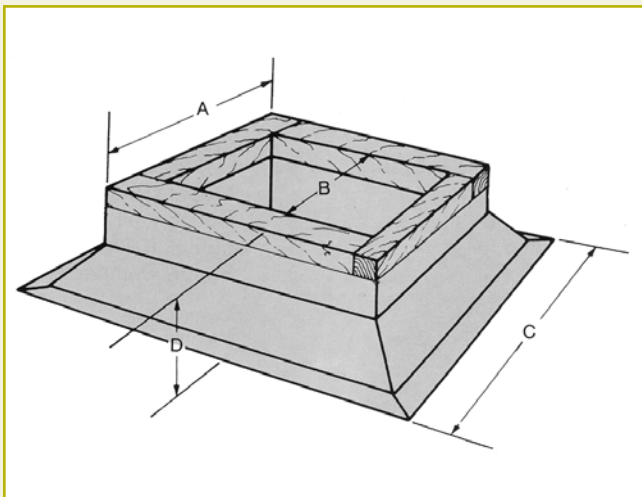
Heavy gauge galvanized steel, unitized full mitered corners, all seams welded, 1-1/2" thick rigid fiberglass insulation, wood nailer strip. All curbs are internally reinforced in larger size dimensions.

## Curb Size Designation

First 2 digits equal "A" dimension in inches; 4th digit number equals eighths in fraction (1/2" is 4 eighths). Size 24-1/2"x36" would be size 02440360.

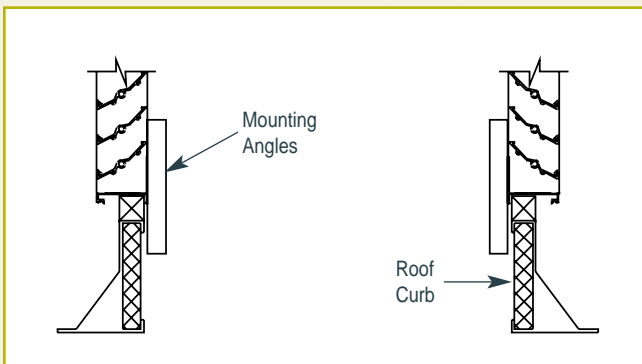
For a complete listing of all roof curb styles available through Carnes, please see the "Ventilator Accessories" section of the Carnes website. ([www.carnes.com](http://www.carnes.com))

## Dimensions



Curb Dimension	Penthouse Installation
A* (Curb Size)	W1 + 3-1/4" x W2 + 3-1/4"
B (Curb I.D.)	A - 3"
C (Base O.D.)	A + 7"
D (Curb Height)	8" up to 36"

## Installation View - Mounting Angles



## Installation View - Curb Cap

