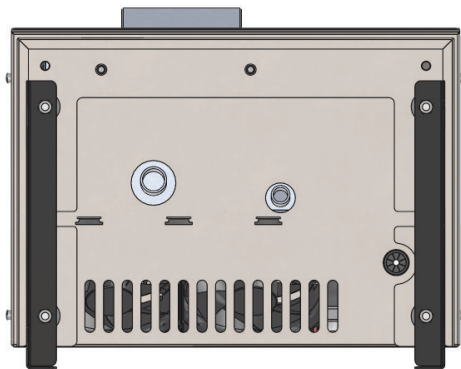
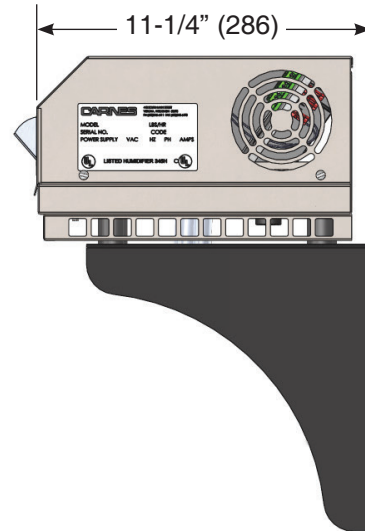
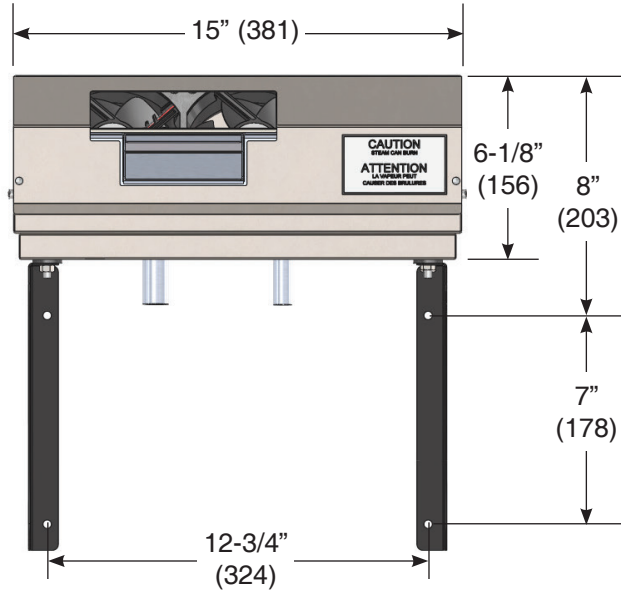
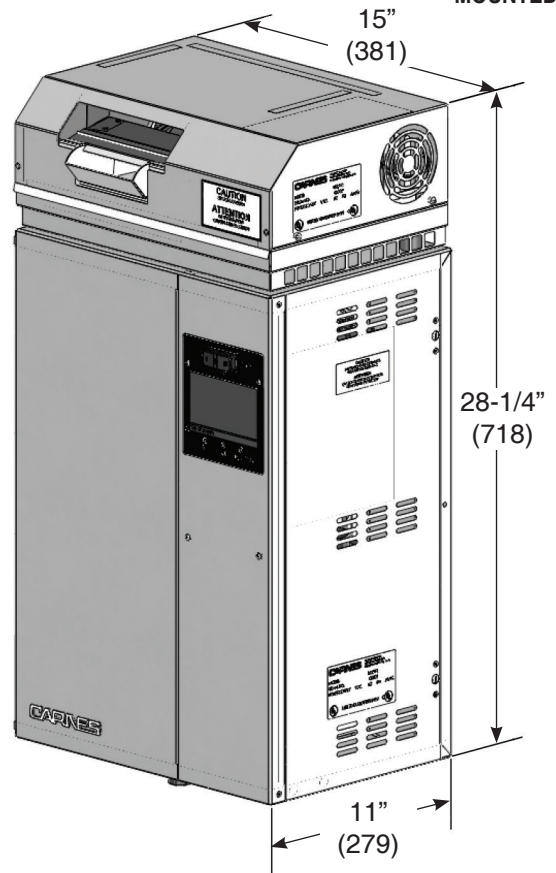


CARNES COMPANY 448 S. Main St., P. O. Box 930040, Verona, WI 53593-0040 Phone: (608)845-6411 Fax: (608)845-6504 www.carnes.com

REMOTE MOUNTED



MOUNTED



FOR USE WITH HUMIDIFIER MODELS:

STANDARD MOUNTING: Factory Attached to Humidifier.

OPTION: Mounted Remote from Humidifier.

HT/HS — 5-100 lbs./hr. Mounted and Remote Mounted

HT/HS — 125-200 lbs./hr. Remote Mounted Only

FAN VOLTAGE: 2 Fans Attached, 24v [PMW] DC.

OPTIONS AVAILABLE FOR REMOTE ONLY:

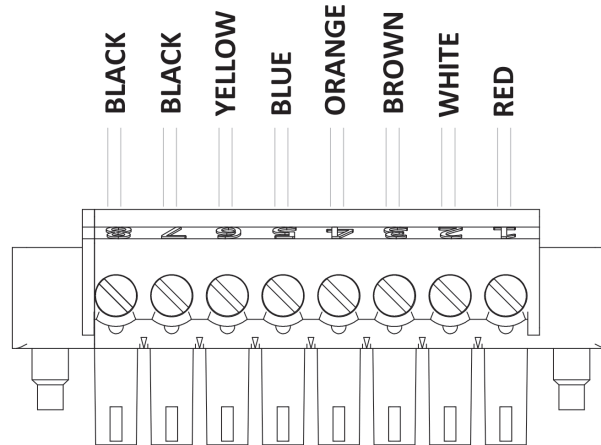
---- (B) — Small Steam Hose - 7/8"

---- (C) — Large Steam Hose - 1-5/8"

Remote Mounted 6-pin Wiring Cable Comes in Standard Selectable Lengths of 5', 10', 20' and 40'

***NOTES:** On Fan Distribution Units Factory Mounted, Controls are Field Wired to Humidifier Unit Assembly. Remote Mounted Units Require Field Wiring Between Fan Distribution Unit, Humidifier and Control. (6-pin Conductors (Wires) 22 AWG Internal Wires, Shielded Round Cable.)

WIRING DETAIL



FOR USE WITH ALL HUMIDIFIER MODELS:
REMOTE MOUNTED FAN DISTRIBUTION MODELS:
HXBJB_ and HXBJC_

Wire Description:

Wire, 22 AWG, 12 Wire Shielded Cable
UL AMW Style 2464 and/or 2567

SELECTABLE LENGTHS:

J — 5 feet (Model Number for ordering wire only: H690-5081)
K — 10 Feet (Model Number for ordering wire only: H690-5082)
L — 20 Feet (Model Number for ordering wire only: H690-5083)
M — 40 Feet (Model Number for ordering wire only: H690-5084)

WIRING INSTRUCTIONS:

1. Strip 1.75-2" from jacket of the wire cable (on open end only).
2. Strip 3/10 - 4/10" per wire on all 12 wires.
3. Install in connector in order shown (Wiring Detail Picture) and tighten screws.