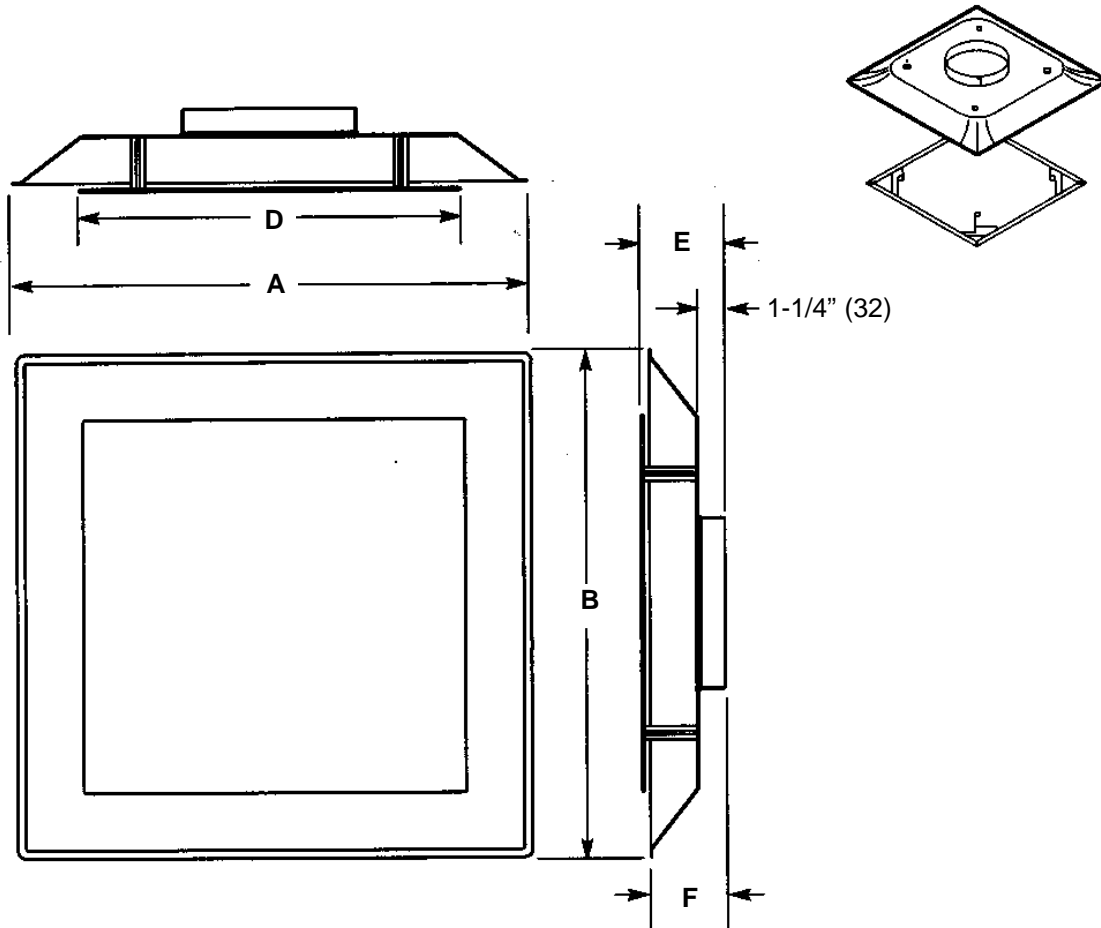


Imperial [IP] Dimensions  
Metric (SI) in Parentheses

CARNES COMPANY 448 S. Main St., P. O. Box 930040, Verona, WI 53593-0040 Phone: (608)845-6411 Fax: (608)845-6504 www.carnes.com



**DIMENSIONS LISTED IN INCHES (In Millimeters)**

Model Number	Nominal Duct Size Dia.	A	B	C	D	E	F
SFPA 1106	6 (152)	11-3/4 (298)	11-3/4 (298)	5-7/8 (149)	9 (229)	3-7/16 (87)	3 (76)
SFPA 1108	8 (203)	11-3/4 (298)	11-3/4 (298)	7-7/8 (200)	9 (229)	3-7/16 (87)	3 (76)
SFPA 2406	6 (152)	23-3/4 (603)	23-3/4 (603)	5-7/8 (149)	17-5/8 (448)	3-7/8 (98)	3-1/2 (89)
SFPA 2408	8 (203)	23-3/4 (603)	23-3/4 (603)	7-7/8 (200)	17-5/8 (448)	3-7/8 (98)	3-1/2 (89)
SFPA 2410	10 (254)	23-3/4 (603)	23-3/4 (603)	9-7/8 (251)	17-5/8 (448)	3-7/8 (98)	3-1/2 (89)
SFPA 2412	12 (305)	23-3/4 (603)	23-3/4 (603)	11-7/8 (302)	17-5/8 (448)	3-7/8 (98)	3-1/2 (89)
SFPA 2414	14 (356)	23-3/4 (603)	23-3/4 (603)	13-7/8 (352)	17-5/8 (448)	3-7/8 (98)	3-1/2 (89)
SFPA 2416	16 (406)	23-3/4 (603)	23-3/4 (603)	15-7/8 (400)	17-5/8 (448)	3-7/8 (98)	3-1/2 (89)

- NOTES:**
1. The core is easily removable by compressing the locking spring and rotating the core counter-clockwise.
  2. The standard finish is electrocoat baked enamel. Other finishes are available upon request.
  3. The standard color is #11 Bright White. Other colors available on request.
  4. Inlet is undersized by 1/8" (3) to fit into the duct.
  5. To mount this diffuser in a plaster ceiling, use KXFA Auxiliary Frame.
  6. Construction is steel.
  7. Unit is shipped completely assembled.
  8. Metric dimensions are in millimeters.